

Vacuum Pumps
GENERAL CATALOGUE

WANG R&ACE

Refrigeration & AirConditioning Equipments Co., Ltd

Technology
Innovation
Design
Quality

技术
革新
设计
质量



"EEC PRODUCT CONFORMITY MARK"
THE CONFORMITY OF THE PRODUCT(S),
REFERRING TO THE ECM
CERTIFICATE DD121208/WRA/2043
MANUFACTURED BY:
WANG REFRIGERATION AND AIR CONDITIONING
EQUIPMENTS CO.,LTD.
ROOM 1501, 5F, PA CENTER, 53-55 LOCKHART
ROAD, WANCHAI, HONGKONG

It certifies by Ente Certificazione Macchine, which has verified and tested the compliance to the applicable European Product Directive(s) and Standards:

COMPLIANCE: 2006/95/EC
EN NORME: EN 60334-1:2010

Evidence of the Conformity is represented by the EEC Product Conformity Mark affixed on the product(s)

Scope of the Ente Certificazione Macchine EEC Product Conformity Mark:
 The ECM EEC Product Conformity Mark demonstrates that the product(s) not only meets the Essential Health and Safety Requirements of the above Directive(s), but it is backed by an independent third party testing organization. Yet ECM EEC Product Conformity Mark demonstrates that the product(s) meets and exceeds the established standards of excellence in equipment manufacture.

Product: SINGLE STAGE VACUUM PUMPS
MODELS: W55VP10A, W55VP15A,
W55VP20A, W55VP25A, W55VP30A,
W55VP40A, W55VP50A

Ente Certificazione Macchine
 Dr. Andrea Sironi, Vice President

Ente Certificazione Macchine S.R.L.
 Via Bressana, 41000 Bressana (PD) - ITALY

ECM
 Ente Certificazione Macchine
 EEC Product Conformity Mark
 Issued by the Product in Compliance to the European Standards and ECH

"EEC PRODUCT CONFORMITY MARK"
THE CONFORMITY OF THE PRODUCT(S),
REFERRING TO THE ECM
CERTIFICATE DD121208/WRA/2044
MANUFACTURED BY:
WANG REFRIGERATION AND AIR CONDITIONING
EQUIPMENTS CO.,LTD.
ROOM 1501, 5F, PA CENTER, 53-55 LOCKHART
ROAD, WANCHAI, HONGKONG

It certifies by Ente Certificazione Macchine, which has verified and tested the compliance to the applicable European Product Directive(s) and Standards:

COMPLIANCE: 2006/95/EC
EN NORME: EN 60334-1:2010

Evidence of the Conformity is represented by the EEC Product Conformity Mark affixed on the product(s)

Scope of the Ente Certificazione Macchine EEC Product Conformity Mark:
 The ECM EEC Product Conformity Mark demonstrates that the product(s) not only meets the Essential Health and Safety Requirements of the above Directive(s), but it is backed by an independent third party testing organization. Yet ECM EEC Product Conformity Mark demonstrates that the product(s) meets and exceeds the established standards of excellence in equipment manufacture.

Product: DOUBLE STAGE VACUUM PUMPS
MODELS: W55VP85A, W55VP10A,
W55VP15A, W55VP20A, W55VP30A,
W55VP40A, W55VP50A

Ente Certificazione Macchine
 Dr. Andrea Sironi, Vice President

Ente Certificazione Macchine S.R.L.
 Via Bressana, 41000 Bressana (PD) - ITALY

ECM
 Ente Certificazione Macchine
 EEC Product Conformity Mark
 Issued by the Product in Compliance to the European Standards and ECH

ENTE CERTIFICAZIONE MACCHINE - NOTIFIED ORGANISM NR. 1282

ENTE CERTIFICAZIONE MACCHINE
EEC PRODUCT CONFORMITY MARK

This is the "sample of the Ente Certificazione Macchine "EEC Product Conformity Mark" as evidence of the Conformity of the Product to the applicable European Product Directive(s) and/or Standards.

For a better Market and Clients visibility of the Product Conformity we suggest that such a Mark would be endorsed (affixed) on the Product itself as well as on the eventual Packaging, Catalogues, Brochures, Website, Head Letter Paper and so on.

The "EEC Product Conformity Mark" is released by ECM against the issuance of the Product(s) Certificate of Conformity.

MARK ISSUED DIRECTLY TO CLIENT:
WANG REFRIGERATION AND AIR CONDITIONING
EQUIPMENTS
CO., LTD.
ROOM 1501, 5F, PA CENTER, 53-55 LOCKHART ROAD, WANCHAI,
HONGKONG

Ente Certificazione Macchine
 Dr. Andrea Sironi, Vice President

Ente Certificazione Macchine S.R.L.
 Via Bressana, 41000 Bressana (PD) - ITALY

EEC Product Conformity Mark
 Certificate No. DD121208/WRA/2043

ENTE CERTIFICAZIONE MACCHINE - NOTIFIED ORGANISM NR. 1282

ENTE CERTIFICAZIONE MACCHINE
EEC PRODUCT CONFORMITY MARK

This is the "sample of the Ente Certificazione Macchine "EEC Product Conformity Mark" as evidence of the Conformity of the Product to the applicable European Product Directive(s) and/or Standards.

For a better Market and Clients visibility of the Product Conformity we suggest that such a Mark would be endorsed (affixed) on the Product itself as well as on the eventual Packaging, Catalogues, Brochures, Website, Head Letter Paper and so on.

The "EEC Product Conformity Mark" is released by ECM against the issuance of the Product(s) Certificate of Conformity.

MARK ISSUED DIRECTLY TO CLIENT!
WANG REFRIGERATION AND AIR CONDITIONING
EQUIPMENTS
CO., LTD.
ROOM 1501, 5F, PA CENTER, 53-55 LOCKHART ROAD, WANCHAI,
HONGKONG

Ente Certificazione Macchine
 Dr. Andrea Sironi, Vice President

Ente Certificazione Macchine S.R.L.
 Via Bressana, 41000 Bressana (PD) - ITALY

EEC Product Conformity Mark
 Certificate No. DD121208/WRA/2043

Verification of Compliance **ECM**

No. DD121208/WRA/2043

Certificate's Holder: Wang Refrigeration And Air Conditioning Equipments Co., Ltd.
 Room 1501, 5F, Pa Center, 53-55 Lockhart Road, Wanchai, Hongkong

Product: **SINGLE STAGE VACUUM PUMPS**
 Model(s): **W55VP10A, W55VP15A,**
W55VP20A, W55VP25A, W55VP30A,
W55VP40A, W55VP50A

Directives: **2006/95/EC Low Voltage**

Standards: **EN 60334-1:2010**

Remark: This verification of Compliance has been issued on a voluntary basis. ECM certifies that a Technical Construction File (TCF) is attached to the above listed product(s). The TCF substantiates the essential requirements (EN) of the above listed Directives. Other relevant Directives have to be observed if applicable. The Document is also valid for the assessment of CE Marking and CE Declaration with the TCF issued since. However the Manufacturer is responsible for the verification of the product(s) and not entrusted to parties of the Issuance activities before placing the product(s) on the market. The Manufacturer is also responsible of the correct application (control) to ensure that products are in compliance with the essential requirements of the above mentioned Directives.

Date of Issue: **DECEMBER 2010** Expiry date: **DECEMBER 2015**

Ente Certificazione Macchine S.R.L.
 Via Bressana, 41000 Bressana (PD) - ITALY

Certificate - Сертификат - 證明書 - Certificat - 증명서

Verification of Compliance **ECM**

No. DD121208/WRA/2044

Certificate's Holder: Wang Refrigeration And Air Conditioning Equipments Co., Ltd.
 Room 1501, 5F, Pa Center, 53-55 Lockhart Road, Wanchai, Hongkong

Product: **DOUBLE STAGE VACUUM PUMPS**
 Model(s): **W55VP85A, W55VP10A,**
W55VP15A, W55VP20A, W55VP30A,
W55VP40A, W55VP50A

Directives: **2006/95/EC Low Voltage**

Standards: **EN 60334-1:2010**

Remark: This verification of Compliance has been issued on a voluntary basis. ECM certifies that a Technical Construction File (TCF) is attached to the above listed product(s). The TCF substantiates the essential requirements (EN) of the above listed Directives. Other relevant Directives have to be observed if applicable. The Document is also valid for the assessment of CE Marking and CE Declaration with the TCF issued since. However the Manufacturer is responsible for the verification of the product(s) and not entrusted to parties of the Issuance activities before placing the product(s) on the market. The Manufacturer is also responsible of the correct application (control) to ensure that products are in compliance with the essential requirements of the above mentioned Directives.

Date of Issue: **DECEMBER 2010** Expiry date: **DECEMBER 2015**

Ente Certificazione Macchine S.R.L.
 Via Bressana, 41000 Bressana (PD) - ITALY

Certificate - Сертификат - 證明書 - Certificat - 증명서

单级真空泵

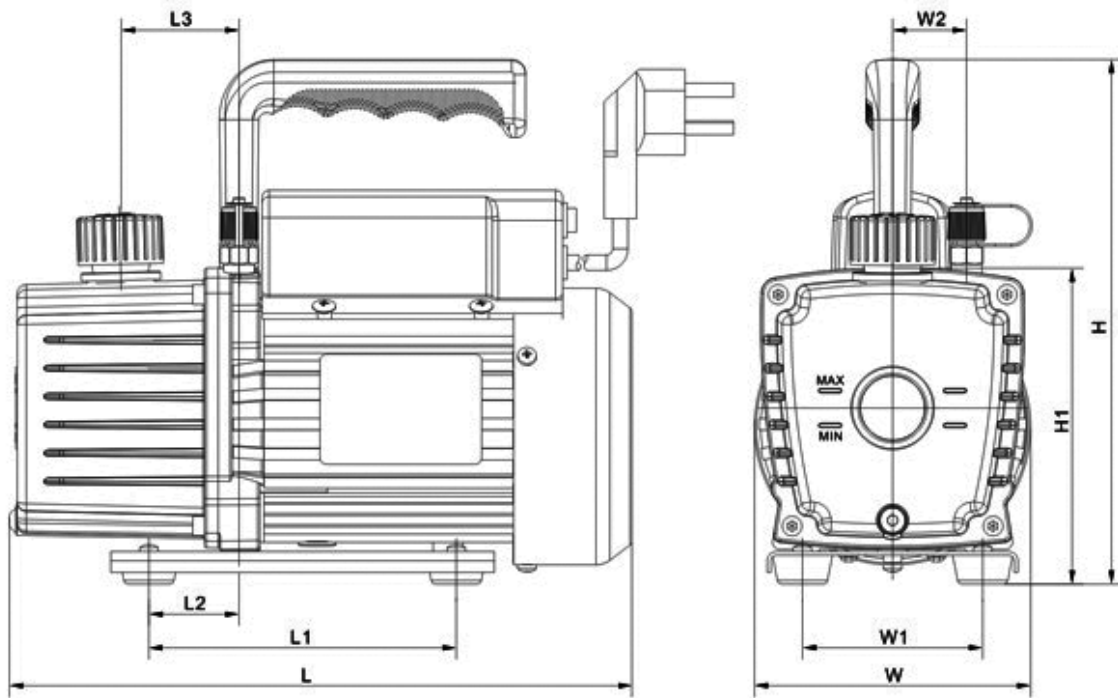
Single Stage

Model	Power	Inlet Port	Dimensions	Weight	Oil Capacity	Ultimate Vacuum	50 Hz	60 Hz
WSSVP10A	1/4 HP	1/4" Flare	270x120x225	5,2 kg.	320 ml.	3Pa 225 microns	1,8 cfm 50 L/Min	2 cfm 56L/Min
WSSVP15A	1/4 HP	1/4" Flare	270x120x225	5,4 kg.	320 ml.	3Pa 225 microns	2,5 cfm 70 L/Min	3 cfm 84 L/Min
WSSVP20A	1/3 HP	1/4" Flare	275x120x235	6,2 kg.	340 ml.	3Pa 225 microns	3,5 cfm 100 L/Min	4 cfm 114 L/Min
WSSVP25A	1/3 HP	1/4" Flare	275x120x235	6,5 kg.	340 ml.	3Pa 225 microns	4,5 cfm 128 L/Min	5 cfm 142 L/Min
WSSVP30A	1/2 HP	1/4" & 3/8" Flare	320x135x250	9,8 kg.	450 ml.	3Pa 225 microns	6 cfm 170 L/Min	7 cfm 198 L/Min
WSSVP40A	3/4 HP	1/4" & 3/8" Flare	370x148x265	14,2 kg	800 ml.	3Pa 225 microns	8 cfm 226 L/Min	9 cfm 254 L/Min
WSSVP50A	1 HP	1/4" & 3/8" Flare	390x148x265	14,5 kg.	950 ml.	3Pa 225 microns	10 cfm 283L/Min	12 cfm 340 L/Min

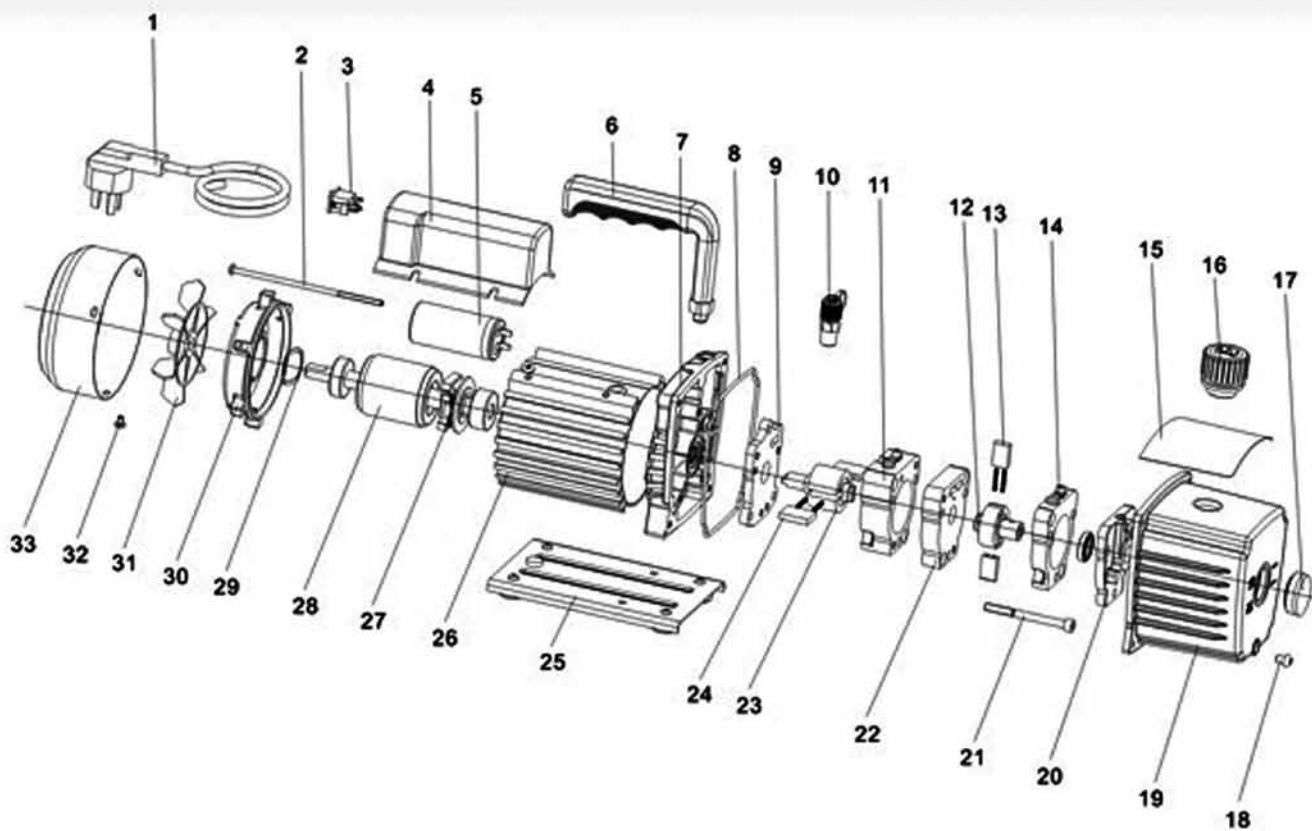
双级真空泵

Dual Stage

Model	Power	Inlet Port	Dimensions	Weight	Oil Capacity	Ultimate Vacuum	50 Hz	60 Hz
WDSVP05A	1/4 HP	1/4" Flare	270X120X225	6 kg.	180 ml.	3x10 Pa 22,5 microns	1,5 cfm 42 L/Min	1,8 cfm 50 L/Min
WDSVP10A	1/3 HP	1/4" Flare	275X120X235	6,5 kg.	270 ml.	3x10 Pa 22,5 microns	2,5 cfm 70 L/Min	3 cfm 84 L / Min
WDSVP15A	1/3 HP	1/4" & 3/8" Flare	320x135x250	11 kg.	360 ml.	3x10 Pa 22,5 microns	3,5 cfm 100 L/Min	4 cfm 114 L/Min
WDSVP20A	1/2 HP	1/4" & 3/8" Flare	320x135x250	11,5 kg.	360 ml.	3x10 Pa 22,5 microns	4,5 cfm 128 L/Min	5 cfm 142 L/Min
WDSVP30A	3/4 HP	1/4" & 3/8" Flare	370x148x265	14,8 kg.	650 ml	3x10 Pa 22,5 microns	6 cfm 170 L/Min	7 cfm 198 L/Min
WDSVP40A	1 HP	1/4" & 3/8" Flare	370x148x265	15,3 kg.	650 ml	3x10 Pa 22,5 microns	8 cfm 226 L/Min	9 cfm 254 L/Min
WDSVP50A	1 HP	1/4" & 3/8" Flare	390x148x265	16 kg.	750 ml	3x10 Pa 22,5 microns	10 cfm 283 L/min	12 cfm 340 L/Min

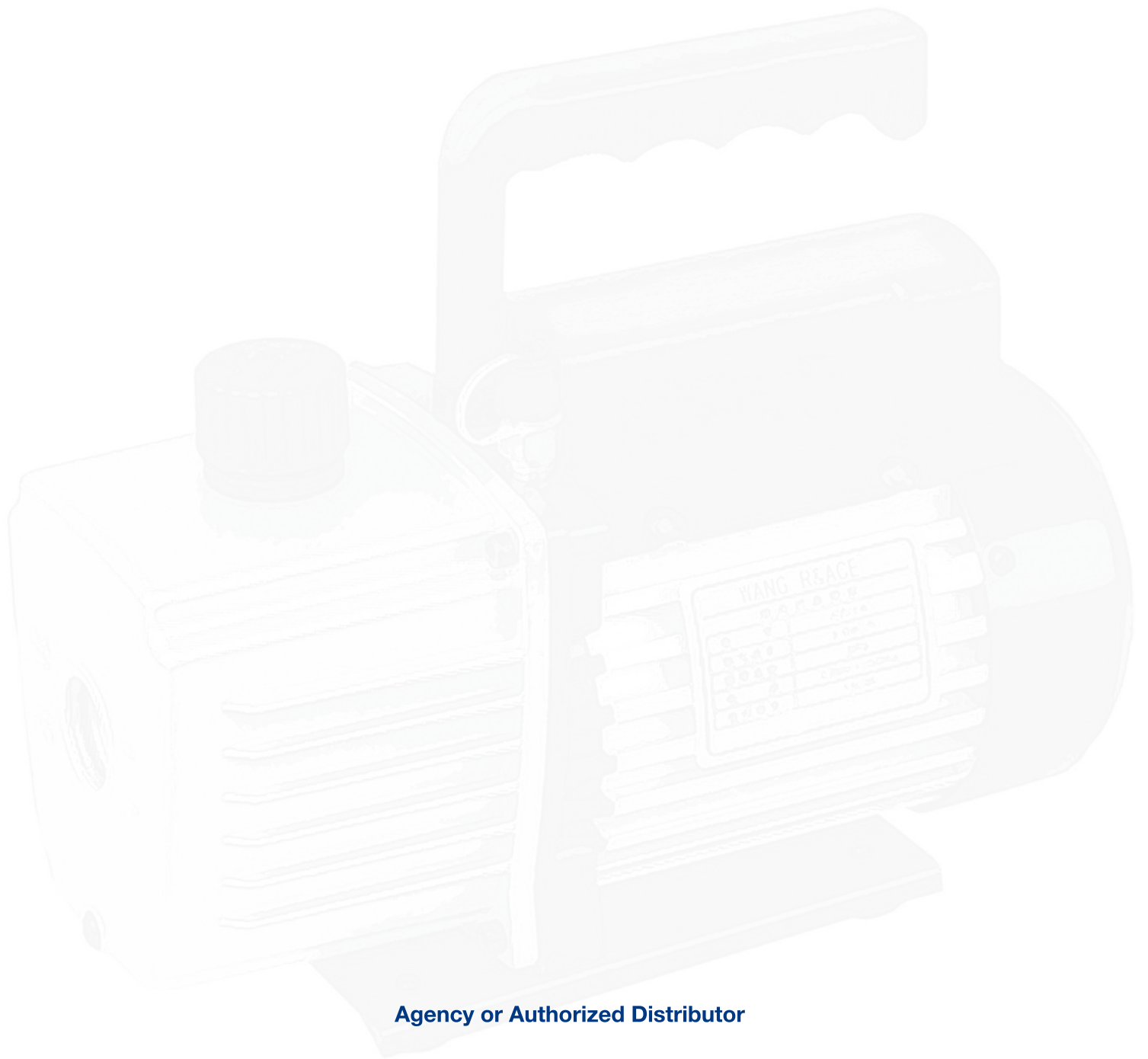


Model	WSSVP10A	WSSVP15A	WSSVP20A	WSSVP25A	WSSVP30A	WSSVP40A	WSSVP50A	WDSVP05A	WDSVP10A	WDSVP15A	WDSVP20A	WDSVP30A	WDSVP40A	WDSVP50A
D	270	270	275	275	320	370	390	270	275	320	320	370	370	390
L1	133	133	133	133	174	185	185	133	133	174	174	185	185	185
L2	39	39	39	39	52	59	59	39	39	52	52	59	59	59
L3	51	51	51	51	59	72	80	51	51	59	59	72	72	80
W	120	120	120	120	135	148	148	120	120	135	135	148	148	148
W1	78	78	78	78	84	102	102	78	78	84	84	102	102	102
W2	32	32	32	32	36	36	36	32	32	36	36	36	36	36
H	225	225	235	235	250	265	265	225	235	250	250	265	265	265
H1	137	137	146	146	162	175	175	137	146	162	162	175	175	175



1	Power supply cords
2	Cross screw
3	Power switch
4	Capacitor box
5	Capacitor
6	Handle
7	Trestle
8	Seal
9	Front cover
10	Intake fitting
11	Front-pump body
12	Back-pump rotor
13	back rotary-vane
14	Back-pump body
15	Cap board
16	Exhaust filter
17	Sight glass

18	Oil drain
19	Oil tank
20	Back-pump cover
21	Bolt
22	Middle fence
23	Front-pump rotor
24	Front rotay-vane
25	Base Plate
26	Motor stator
27	Centrifugal switch
28	Motor rotor
29	Undee washer
30	Motor cover
31	Fan
32	Cross screw
33	Fan cover



Agency or Authorized Distributor

Main Office: Lockhart Road, 53-55, 15/F SPA Centre, Wan Chai, Hong Kong
China Office: 1 Taizi Road New Times Plaza 3/F Nanshan, Shenzhen, China 518067

www.wang-race.com e-mail: info@wang-race.com
Phone : +86 755 2160 7514, +86 755 2689 5300 Fax: +86 755 2160 7689