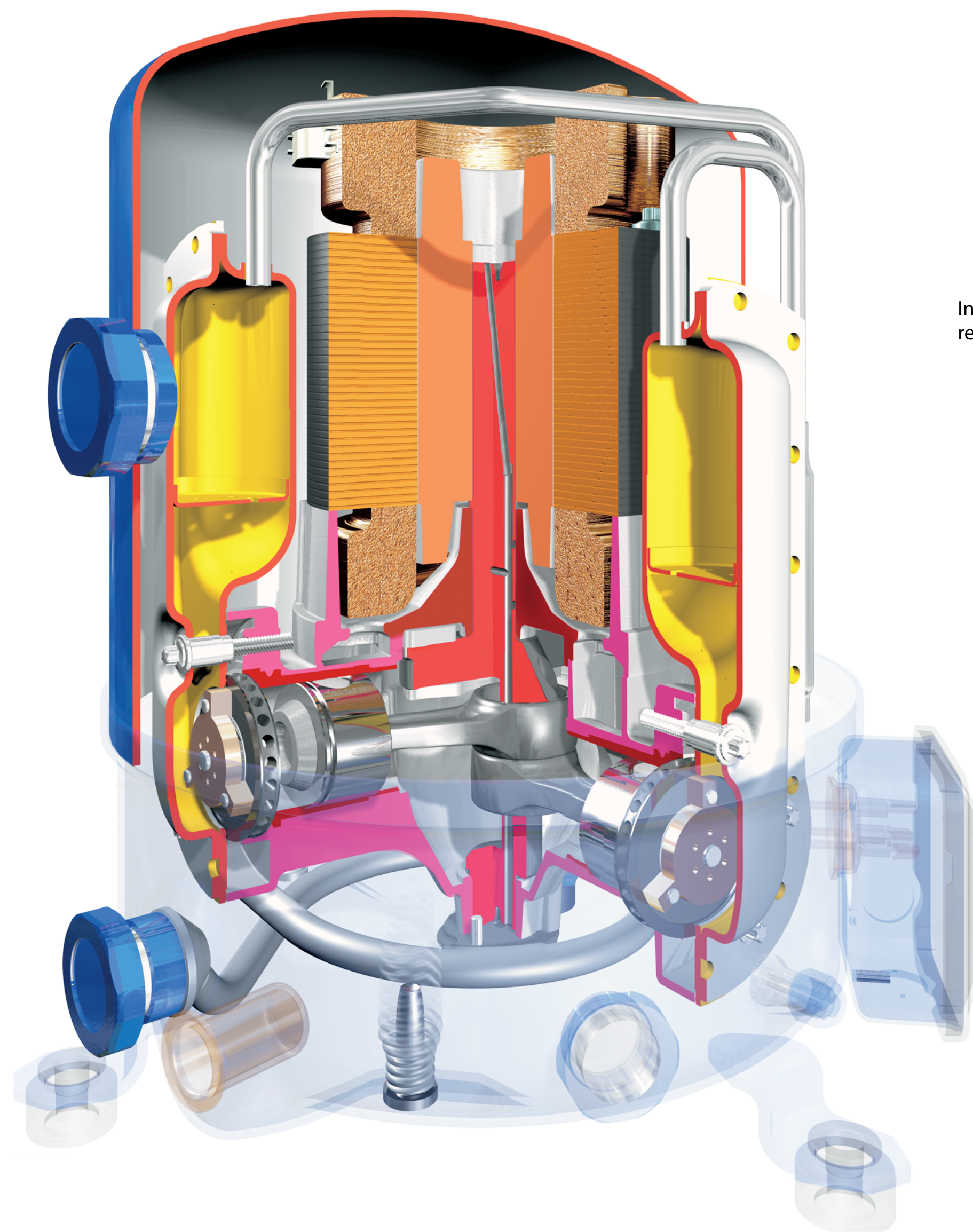
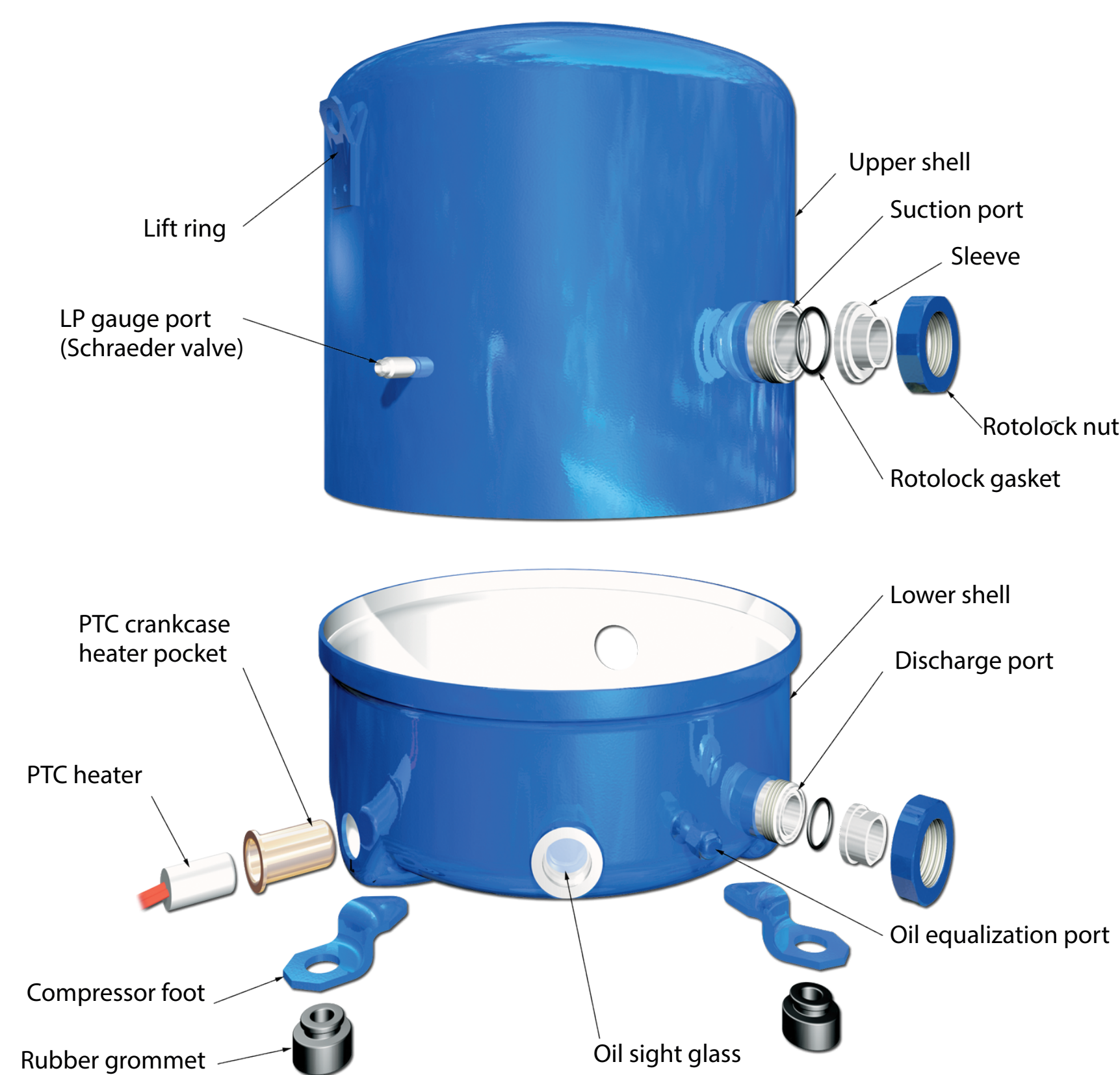


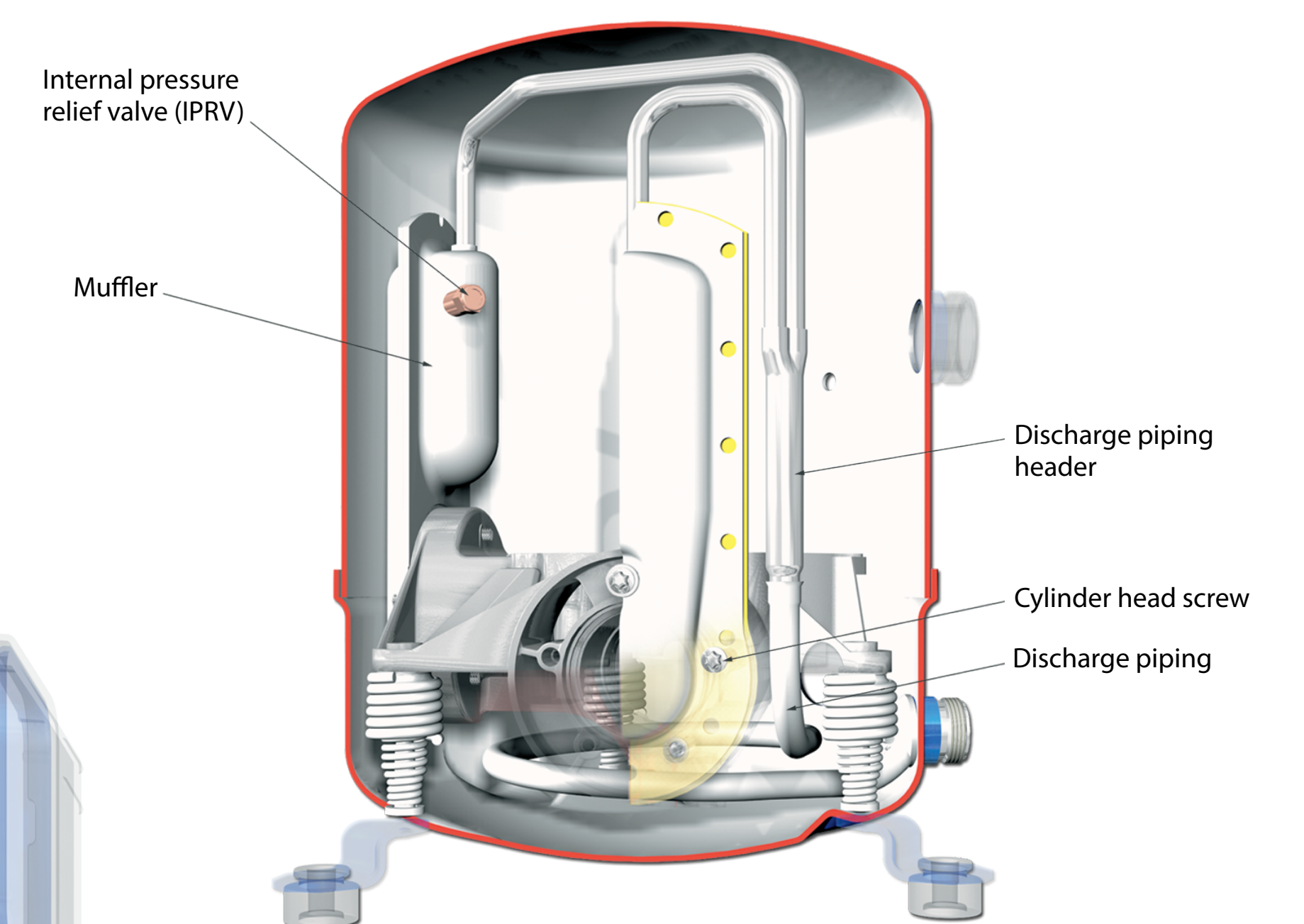
# Maneurop reciprocating compressor

Generic 3D view

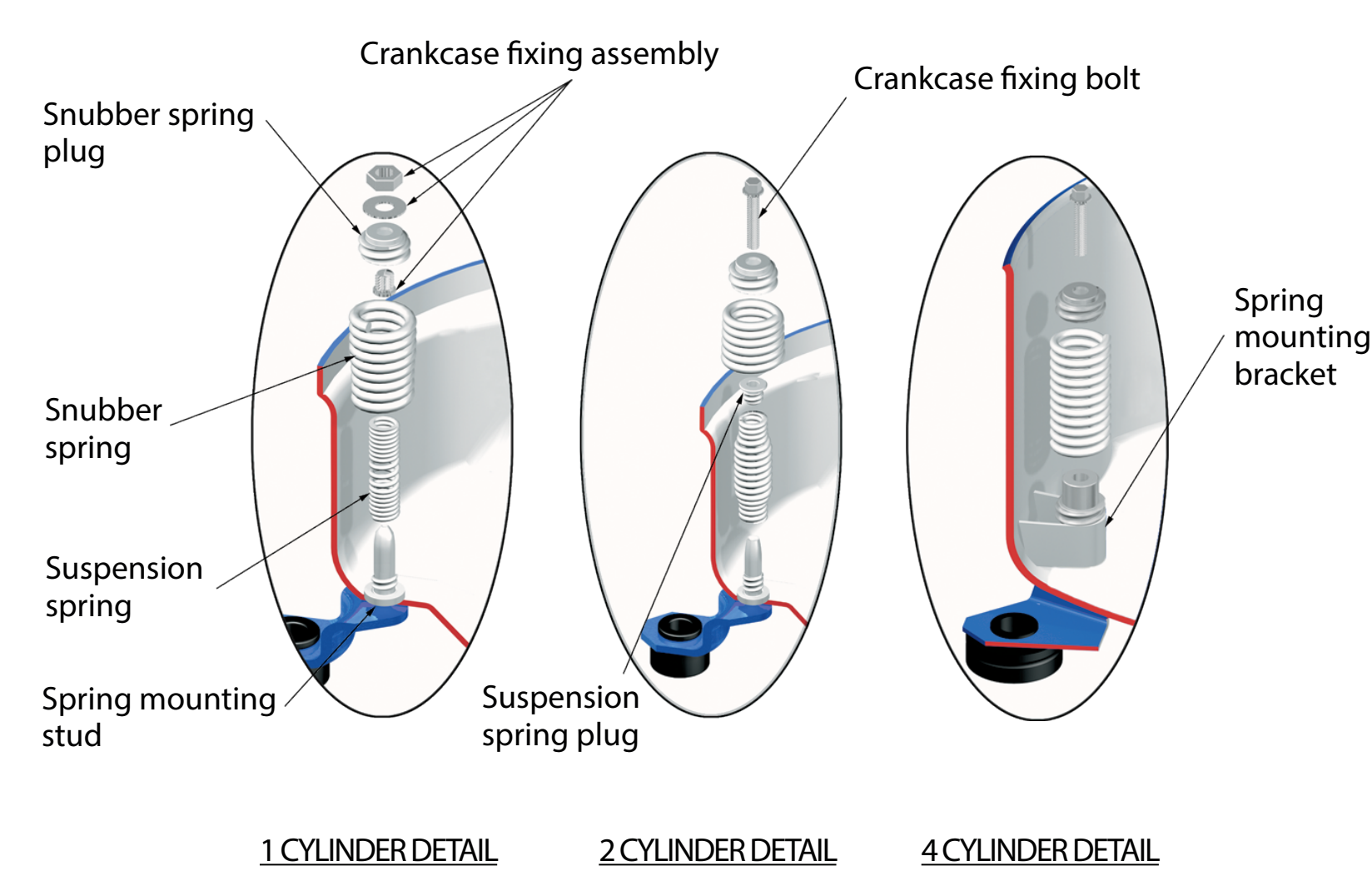
## COMPRESSOR BODY



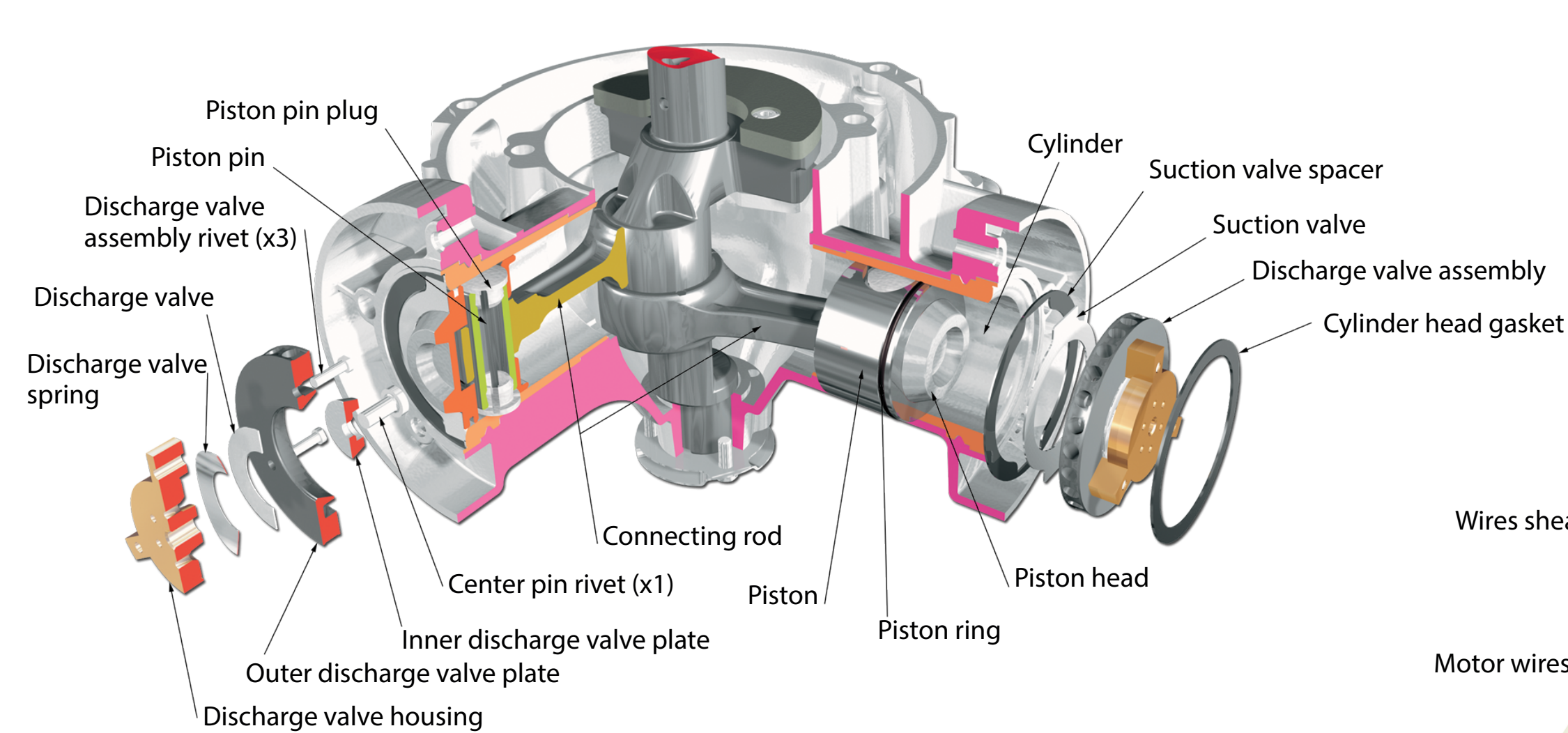
## DISCHARGE PIPING



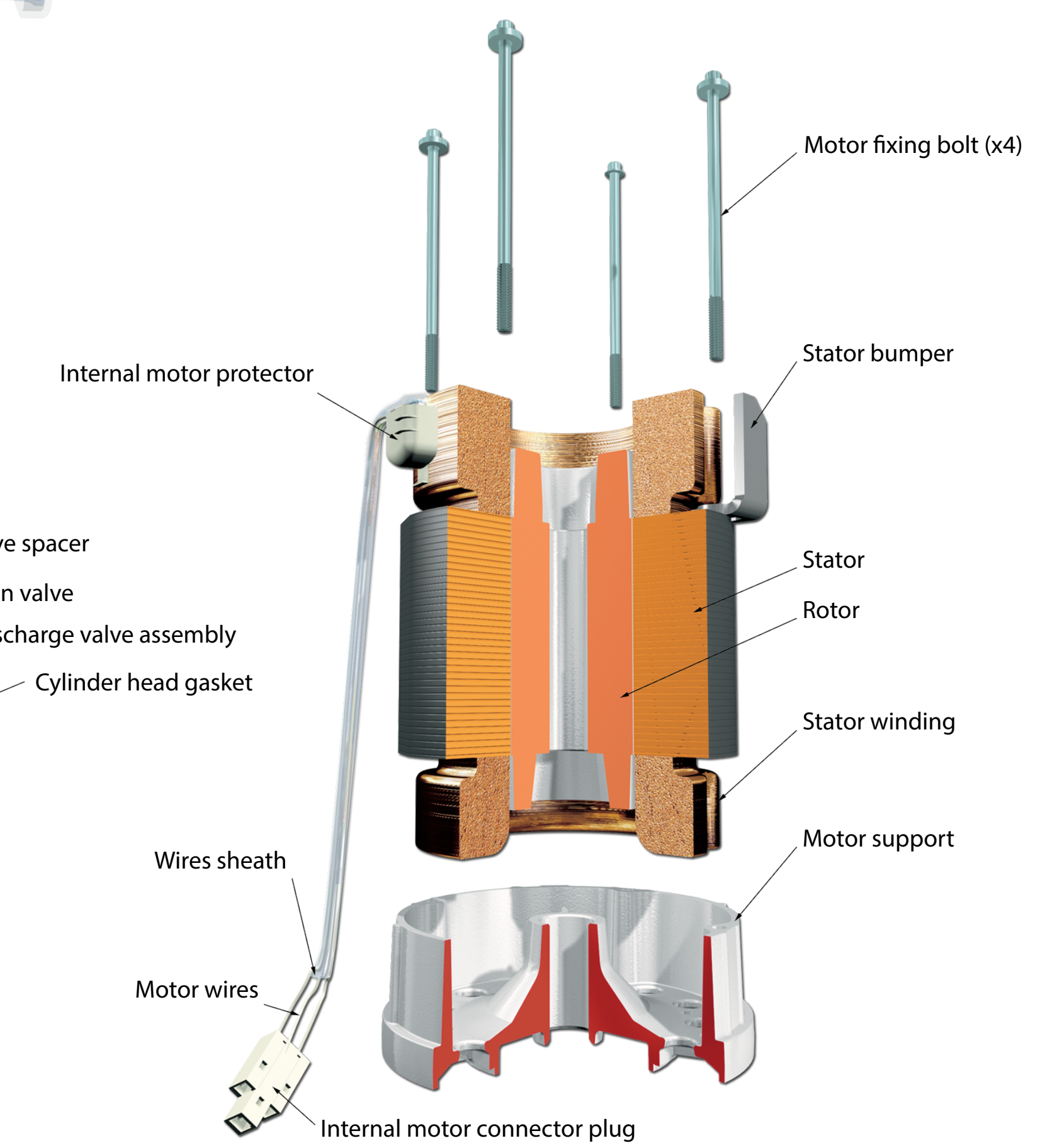
## SUSPENSION



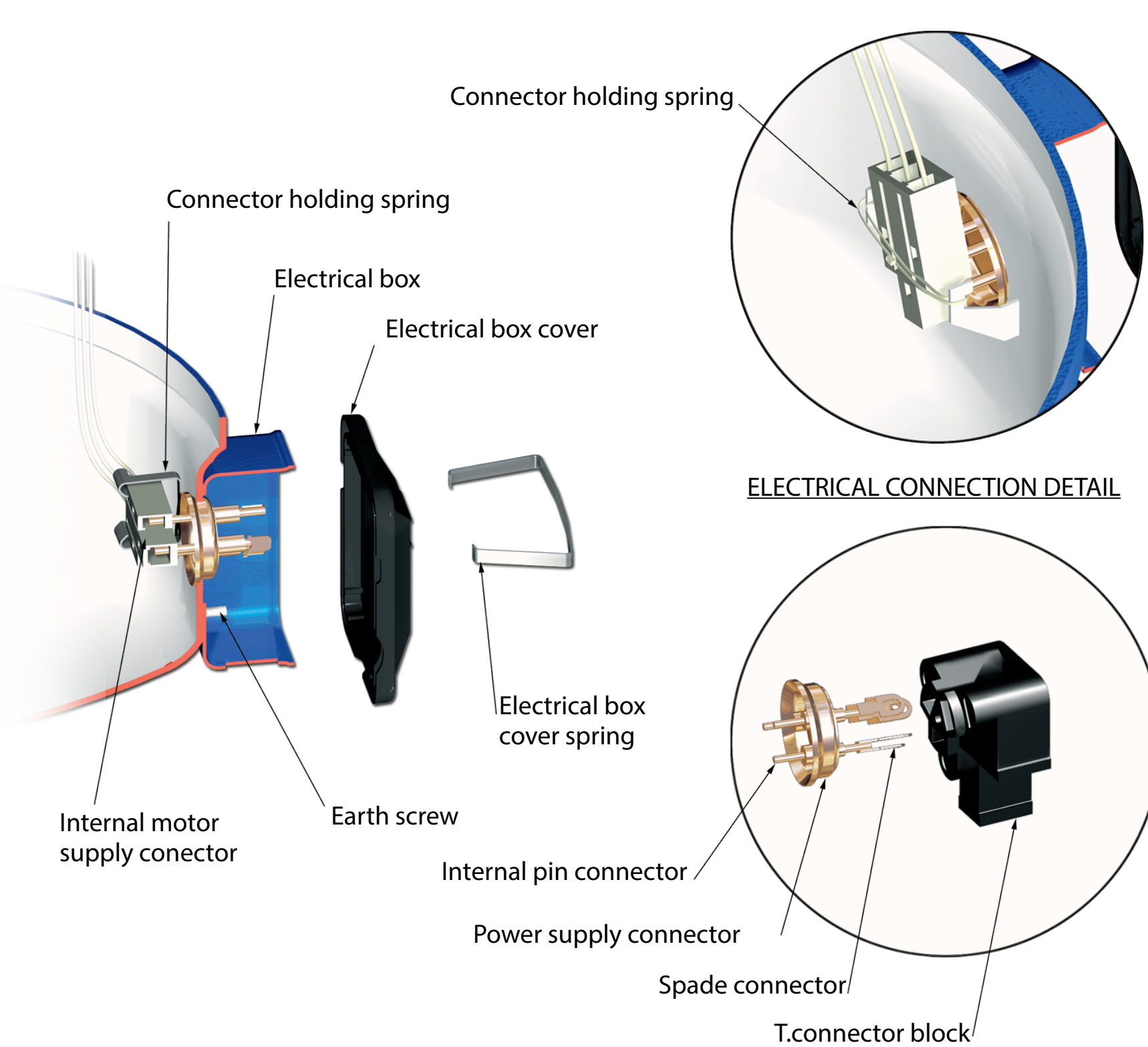
## COMPRESSION SETS ASSEMBLY



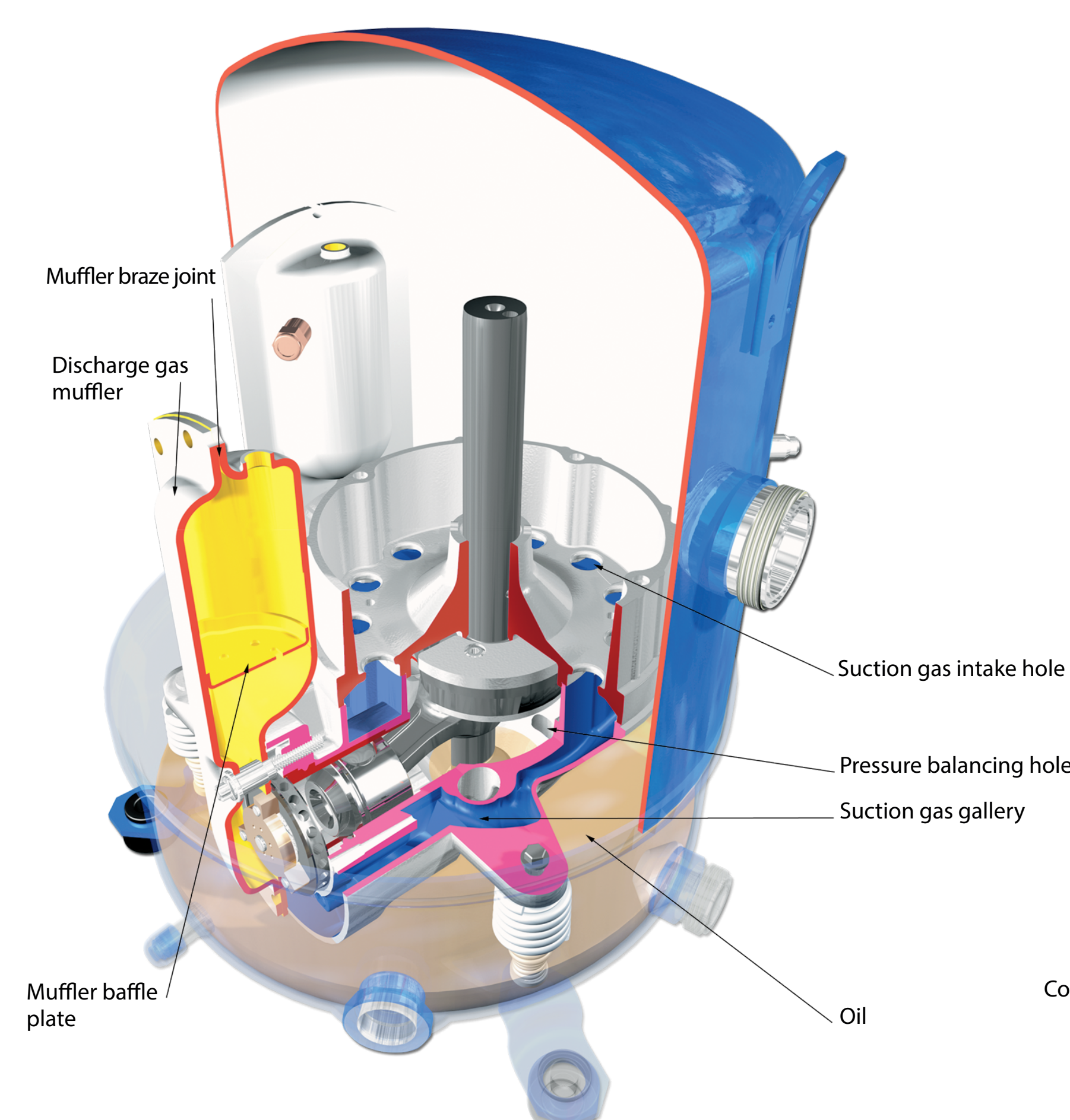
## MOTOR



## ELECTRICAL CONNECTION



## GAS CIRCULATION



## BEARING

