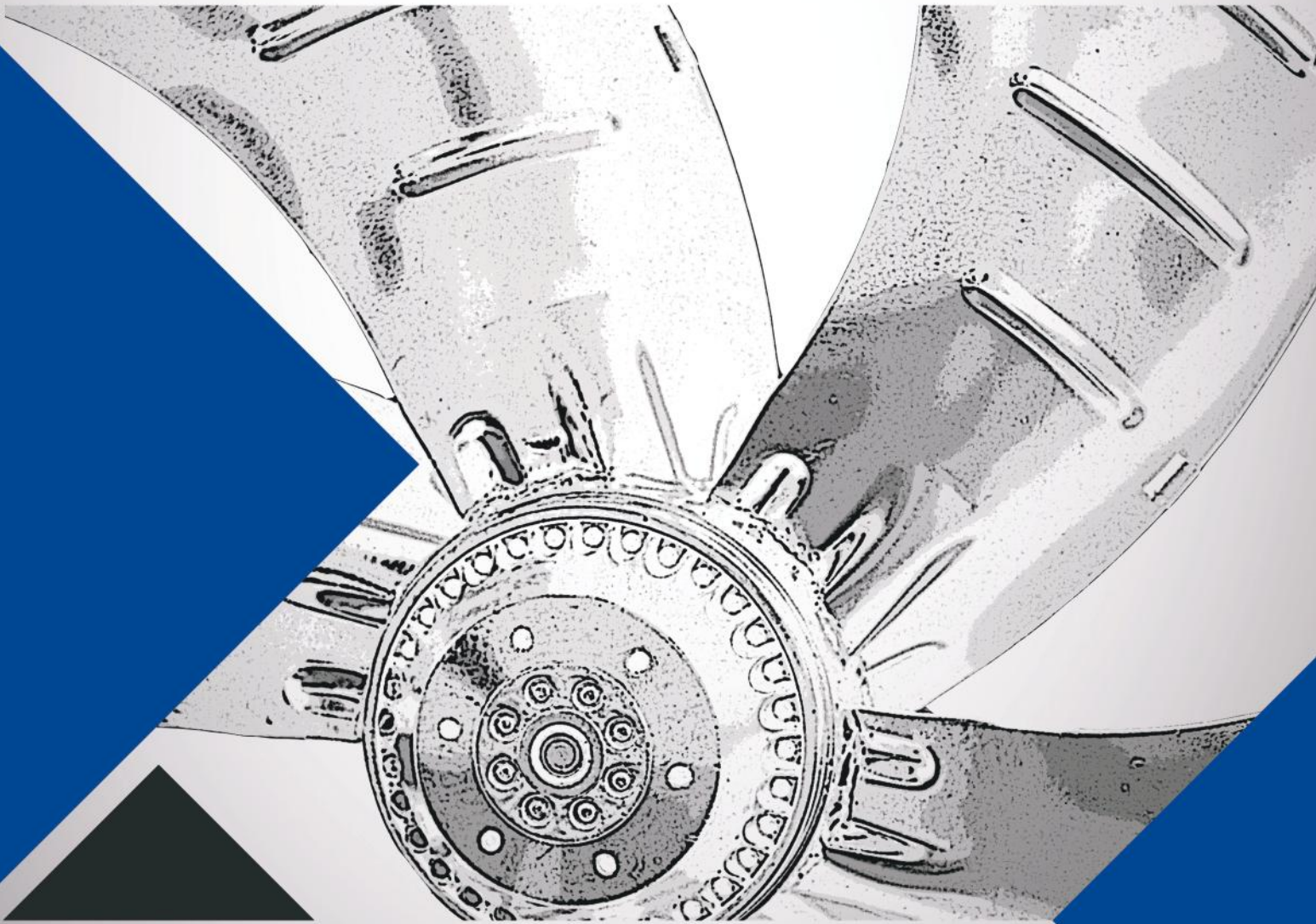




EXTERNAL ROTOR AXIAL FAN

General Catalogue



MOOWEX

MOOWEX

Technology

Innovation

Design

Quality

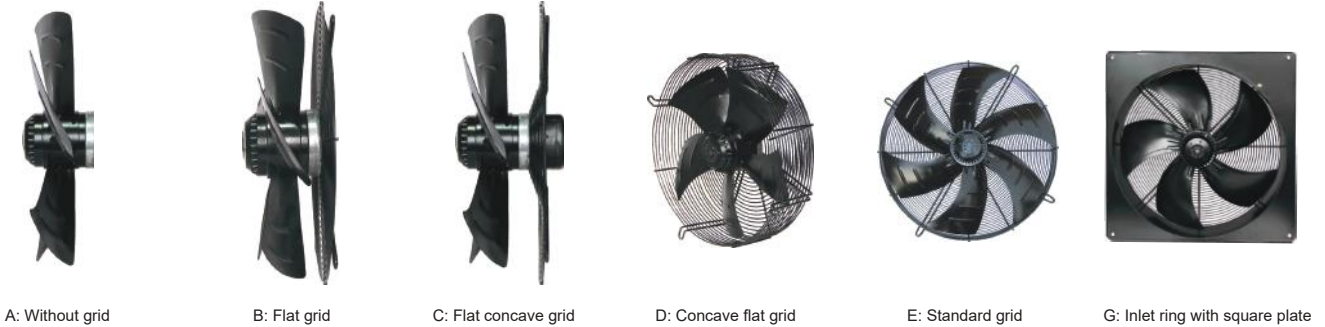
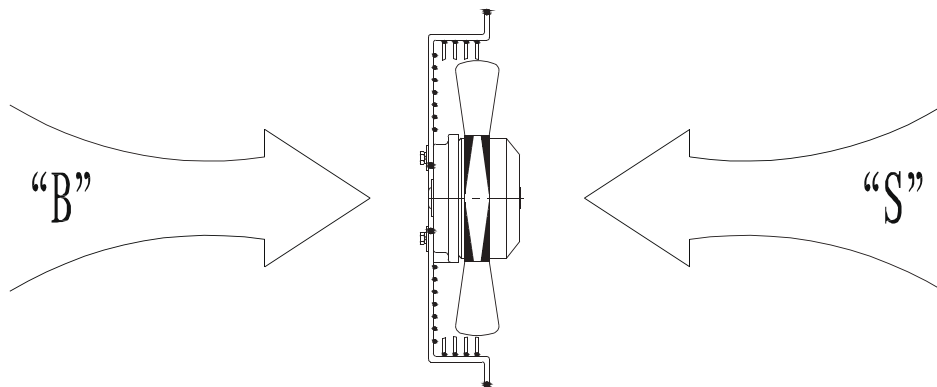
External Rotor Axial Model Introduction

- 1- Our factory cooperates with Shanghai Jiao Tong University on technology, External Rotor Fan Blade adopts advanced aerodynamic design, which is beautiful appearance, high efficiency.
- 2- Fan rotor is directly with rotor and blade, that adopt dual-sided dynamic balance, dynamic balance achieved G6.3.
- 3- The fan blade, rotor and grid is all sprayed, the surface is bright appearance that is not easy oxidation and discoloration, and has good corrosion-resistant effect, Motor Cover also by the special treatment.
- 4- Fan normal ambient temperature: $-25^{\circ}\text{C}\sim+60^{\circ}\text{C}$, if the temperature range exceed the above, our factory can be customized according to customer requirements.
- 5-The insulation grade of currently supplied fan is B-class, F-class and H-class, the protection class is IP54. At present, we can also supply the fan of working environment temperature: $-40^{\circ}\text{C}\sim+60^{\circ}\text{C}$ and $-25^{\circ}\text{C}\sim+80^{\circ}\text{C}$. All fans can install thermal protection in them. Our factory will put out the IP56 external rotor motor with new structure soon and this structure has got national patent. It can apply to the high humidity and bad environment.
- 6- Fans have single-phase capacitor running and three-phase asynchronous running. Single-phase motor has 220V/50HZ and 220V/60HZ. Three-phase motor has 380V/50HZ and 380V/60HZ. At the same time, we can provide our customers with motors of the special requirements: special voltage, dual voltage and so on.
- 7- The line fan motor can be directly leaded out and can provide various forms of water-proof junction box for the user's selection.
- 8- Fan flow curves acquisition developed by the Shanghai Jiao Tong University Air-cooled Technology. The testing data collected from the wind room is accurate and reliable.

External Rotor Axial Fan Model Introduction

W 1 AF 4 E 1 200 S N W E
 ① ② ③ ④ ⑤ ⑥ ⑦ ⑧ ⑨ ⑩

- 1- Wang
- 2- Generation of Fan
- 3- Asynchronous external rotor Axial Fan
- 4- Number of poles
- 5- E: Single phase motor D: Three phase motor
- 6- 1-50 Hz - 2-60 Hz
- 7- The diameter of fan impeller
- 8- S:Sucking B: Blowing
- 9- NW: Standard efficiency BW: High efficiency
- 10-A: Without Grid B: Flat Grid C: Flat Concave Grid
 D: Concave Flat Grid E: Standart Grid G: Inlet Ring with Square Plate



A: Without grid

B: Flat grid

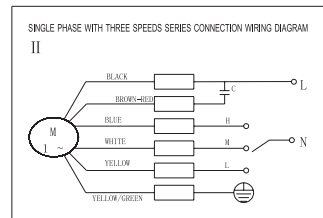
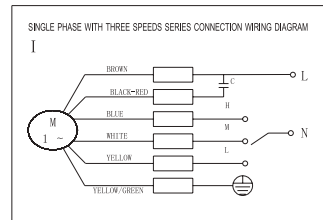
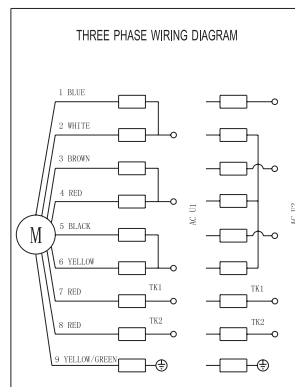
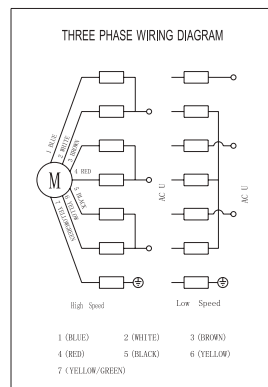
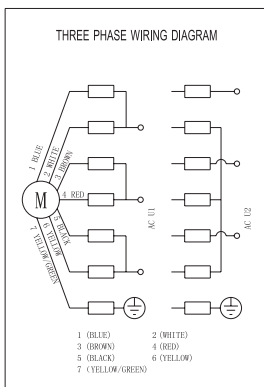
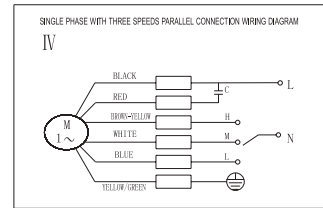
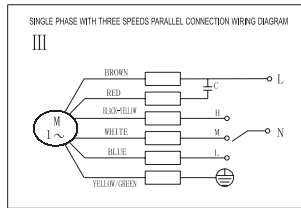
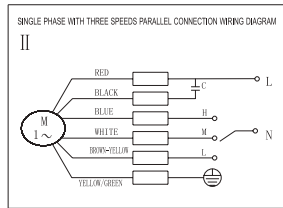
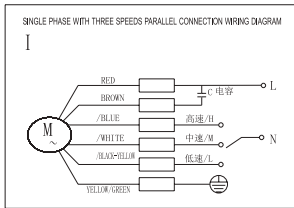
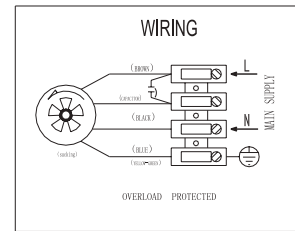
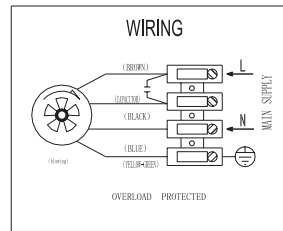
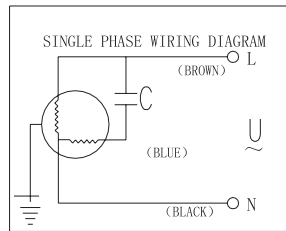
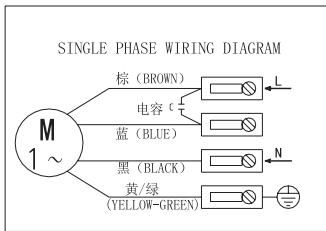
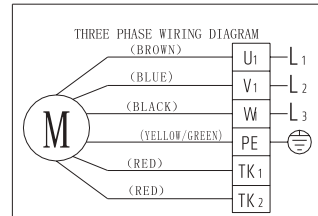
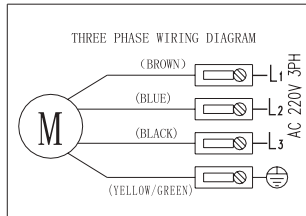
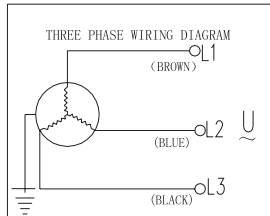
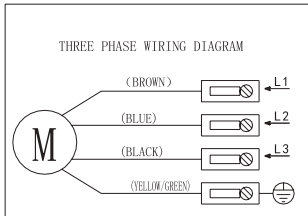
C: Flat concave grid

D: Concave flat grid

E: Standard grid

G: Inlet ring with square plate

Axial Fan Motor Model Introduction

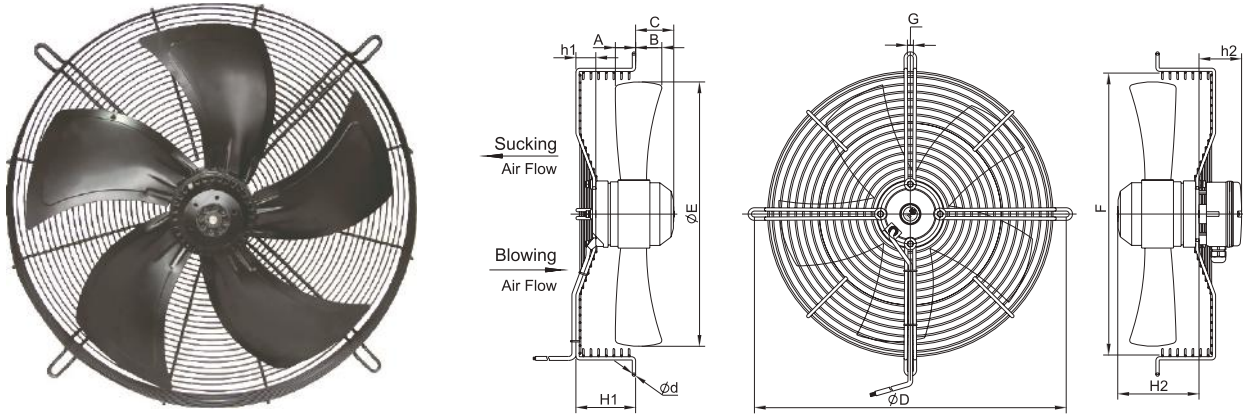


STANDARD EFFICIENCY

NW SERIES

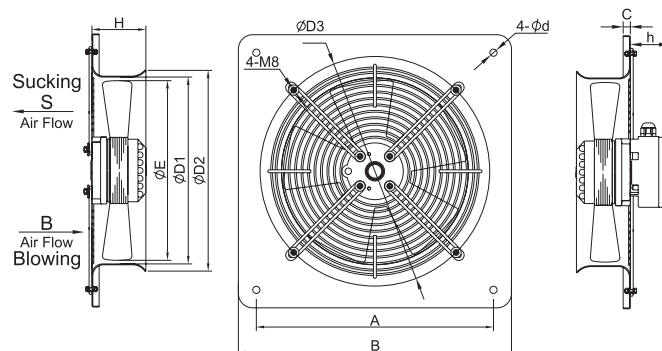
EXTERNAL ROTOR AXIAL FANS

Dimension of W1AF Series External Rotor Axial Fan with Grid

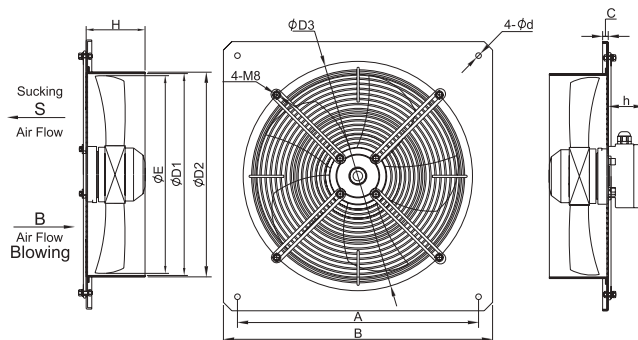


Model	A	B	C	h1	E	H1	d	G	D	F	h2	H2
W1AF4E1-200S/B NW	11,5	20,5	25	0	200	50	4	7	265	230	55,5	70,5
W1AF4E1-250S/B NW	21	18	21	20	250	70	4	7	330	280	55,5	75,5
W1AF4E/D1-300S/B NW	17	24	36	30	300	80	4	7	360	325	55,5	85,5
W1AF4E/D1-315S/B NW	32	12	35	30	315	80	4	7	380	335	55,5	85,5
W1AF4E/D1-330S/B NW	36	49	54	30	330	80	5	7	402	350	55,5	110
W1AF4E/D1-350S/B NW	39,5	47,5	55	30	350	80	5	9	422	375	55,5	110,5
W1AF6E/D1-350S/B NW	39,5	47,5	55	30	350	80	5	9	422	375	55,5	110,5
W1AF4E/D1-380S/B NW	31	39	58	30	380	80	5	9	450	400	55,5	125
W1AF4E/D1-400S/B NW	46	28	57	30	400	90	5	9	470	425	55,5	122,5
W1AF6E/D1-400S/B NW	46	28	57	30	400	90	5	9	470	425	55,5	122,5
W1AF4E/D1-450S/B NW	19	47	72	30	450	90	6	10	522	475	55,5	135,5
W1AF6E/D1-450S/B NW	19	47	72	30	450	90	6	10	522	475	55,5	135,5
W1AF4E/D1-500S/B NW	19	36	75	30	500	90	6	10,5	570	525	55,5	137
W1AF6E/D1-500S/B NW	19	36	75	30	500	90	6	10,5	570	525	55,5	137
W1AF4E/D1-550S/B NW	23	50	84	30	550	90	6	10,5	632	578	55,5	151
W1AF6E/D1-550S/B NW	23	50	84	30	550	90	6	10,5	632	578	55,5	151
W1AF4E/D1-600S/B NW	30	37	94	30	600	95	7	10,5	695	650	55,5	165
W1AF6E/D1-600S/B NW	30	39	94	30	600	95	7	10,5	695	650	55,5	165
W1AF4E/D1-630S/B NW	34	38	94	30	630	95	7	10,5	735	660	55,5	165
W1AF6E/D1-630S/B NW	29	40	94	30	630	95	7	10,5	735	660	55,5	165
W1AF6E/D1-700S/B NW	27	15	90	35	700	108	7,5	12	795	740	55,5	165
W1AF6D1-700S/B NW	27	15	90	35	700	108	7,5	12	795	740	55,5	165
W1AF8D1-700S/B NW	27	15	90	35	700	108	7,5	12	795	740	55,5	165
W1AF6D1-750S/B NW	33	16	90	35	750	108	7,5	12	850	790	55,5	165
W1AF8D1-750S/B NW	33	16	90	35	750	108	7,5	12	850	790	55,5	165

Dimension of W1AF Series External Rotor Axial Fan with Inlet Ring and Square Plate



Model	H	E	D1	D2	D3	d	A	B	C	h
W1AF4E1-250S/B NW	75	250	260	279,3	265	9	330	380	10	58,5
W1AF4E/D1-300S/B NW	85	300	310	320	360	9	380	430	10	58,5
W1AF4E/D1-400S/B NW	110	400	415	420	470	9	480	530	10	58,5
W1AF6E/D1-300S/B NW	110	400	415	420	470	9	480	530	10	58,5
W1AF4E/D1-500S/B NW	117	500	510	515	570	9	560	600	10	58,5
W1AF6E/D1-500S/B NW	117	500	510	515	570	9	560	600	10	58,5



Model	H	E	D1	D2	D3	d	A	B	C	h
W1AF4E1-200S/B NW	70	200	210	212,4	235	10	290	330	10	55,5
W1AF4E/D1-250S/B NW	70	250	262	264,4	300	10	330	380	10	55,5
W1AF4E/D1-300S/B NW	80	300	315	317,4	360	10	380	430	10	55,5
W1AF4E/D1-315S/B NW	80	315	325	327,5	370	10	400	450	10	55,5
W1AF4E/D1-350S/B NW	105	350	365	267,4	410	10	430	480	10	55,5
W1AF6E/D1-350S/B NW	105	350	365	267,4	410	10	430	480	10	55,5
W1AF4E/D1-400S/B NW	112	400	415	417,4	460	10	480	530	10	55,5
W1AF6E/D1-400S/B NW	112	400	415	417,4	460	10	480	530	10	55,5
W1AF4E/D1-450S/B NW	128	450	465	468	510	12	530	580	10	55,5
W1AF6E/D1-450S/B NW	128	450	465	468	510	12	530	580	10	55,5
W1AF4E/D1-500S/B NW	128	500	515	518	560	12	580	630	10	55,5
W1AF6E/D1-500S/B NW	128	500	515	518	560	12	580	630	10	55,5
W1AF4E/D1-550S/B NW	140	550	570	573	615	12	630	680	10	55,5
W1AF6E/D1-550S/B NW	140	550	570	573	615	12	630	680	10	55,5
W1AF4E/D1-600S/B NW	155	600	620	623	665	12	680	730	10	55,5
W1AF6E/D1-600S/B NW	155	600	620	623	665	12	680	730	10	55,5
W1AF4E/D1-630S/B NW	155	630	650	658	695	12	710	760	10	55,5
W1AF6E/D1-630S/B NW	155	630	650	658	695	12	710	760	10	55,5

Technical Data & Order Codes of W1AF Series External Rotor Axial Fan

Code Nr.	Model	Voltage	Current	Input	Speed	Noise Level	Air Volume	Capaci- tor	Max. Static Pressure	Weight Approx.
			A	W	Rpm	db (a)	m3/h	µF	Pa	kg.
021AJ1000	W1AF4E1-200S NW	220V / 50Hz	0,1	30	1400	50	330	3	30	1,6
021AJ1001	W1AF4E1-250S NW	220V / 50Hz	0,25	50	1400	55	550	1,5	60	1,6
021AJ1002	W1AF4E1-300S NW	220V / 50Hz	0,4	80	1380	60	1100	2	55	3,3
021AJ1047	W1AF4E1-315S NW	220V / 50Hz	0,3	70	1380	62	1480	2	100	2,4
021AJ1048	W1AF4E1-330S NW	220V / 50Hz	0,6	125	1380	63	1800	3	100	2,5
021AJ1003	W1AF4E1-350S NW	220V / 50Hz	0,6	130	1380	65	2300	4	85	4,8
021AJ1049	W1AF4E1-380S NW	220V / 50Hz	1	200	1380	65	2800	6	95	5,5
021AJ1004	W1AF4E1-400S NW	220V / 50Hz	0,95	200	1380	68	3200	6	100	5,6
021AJ1005	W1AF4E1-450S NW	220V / 50Hz	1,2	260	1350	70	4200	6	65	7,2
021AJ1006	W1AF4E1-500S NW	220V / 50Hz	2,1	450	1350	70	5900	12	120	9,3
021AJ1050	W1AF4E1-550S NW	220V / 50Hz	2,8	600	1350	70	6500	12	90	10,5
021AJ1051	W1AF4E1-600S NW	220V / 50Hz	3,5	700	1400	80	8600	12	120	10,5

021AJ1014	W1AF4D1-300S NW	380V / 50Hz	0,25	60	1380	60	1100	-	60	3,3
021AJ1015	W1AF4D1-350S NW	380V / 50Hz	0,35	150	1380	65	2300	-	90	4,8
021AJ1016	W1AF4D1-400S NW	380V / 50Hz	0,45	200	1380	68	3200	-	100	5,6
021AJ1017	W1AF4D1-450S NW	380V / 50Hz	0,65	270	1360	70	4200	-	110	7,2
021AJ1018	W1AF4D1-500S NW	380V / 50Hz	0,75	400	1320	70	5800	-	125	9,3
021AJ1052	W1AF4D1-550S NW	380V / 50Hz	1,3	600	1350	70	6500	-	120	10,5
021AJ1053	W1AF4D1-600S NW	380V / 50Hz	1,85	750	1350	80	8500	-	115	10,5
021AJ1046	W1AF4D1-630S NW	380V / 50Hz	1,8	800	1300	82	12000	-	120	14,2

021AJ1024	W1AF6E1-350S NW	220V / 50Hz	0,4	75	930	52	1380	2	70	4,8
021AJ1025	W1AF6E1-400S NW	220V / 50Hz	0,55	110	950	58	2200	3	65	5,6
021AJ1026	W1AF6E1-450S NW	220V / 50Hz	0,65	150	920	55	2600	4	60	7,2
021AJ1027	W1AF6E1-500S NW	220V / 50Hz	0,8	170	950	60	3900	6	110	9,3
021AJ1028	W1AF6E1-630S NW	220V / 50Hz	1,7	450	920	72	8000	12	80	15

021AJ1029	W1AF6D1-350S NW	380V / 50Hz	0,3	90	950	52	1400	-	80	4,8
021AJ1030	W1AF6D1-400S NW	380V / 50Hz	0,35	95	920	58	2100	-	65	5,6
021AJ1031	W1AF6D1-450S NW	380V / 50Hz	0,7	150	950	55	2700	-	80	7,2
021AJ1032	W1AF6D1-500S NW	380V / 50Hz	0,85	170	950	58	3900	-	110	9,3
021AJ1054	W1AF6D1-550S NW	380V / 50Hz	1,1	280	950	60	4400	-	90	10,5
021AJ1055	W1AF6D1-600S NW	380V / 50Hz	1	350	900	70	5700	-	60	10,5
021AJ1033	W1AF6D1-630S NW	380V / 50Hz	1,3	400	900	72	8000	-	80	14,2

021AJ1056	W1AF6D1-700S NW	380V / 50Hz	2,5	850	900	70	12000	-	135	18
021AJ1057	W1AF8D1-700S NW	380V / 50Hz	1,35	350	650	58	6400	-	95	18
021AJ1058	W1AF6D1-750S NW	380V / 50Hz	1,6	600	900	68	12000	-	135	20
021AJ1059	W1AF8D1-750S NW	380V / 50Hz	1,35	400	650	60	9000	-	80	20

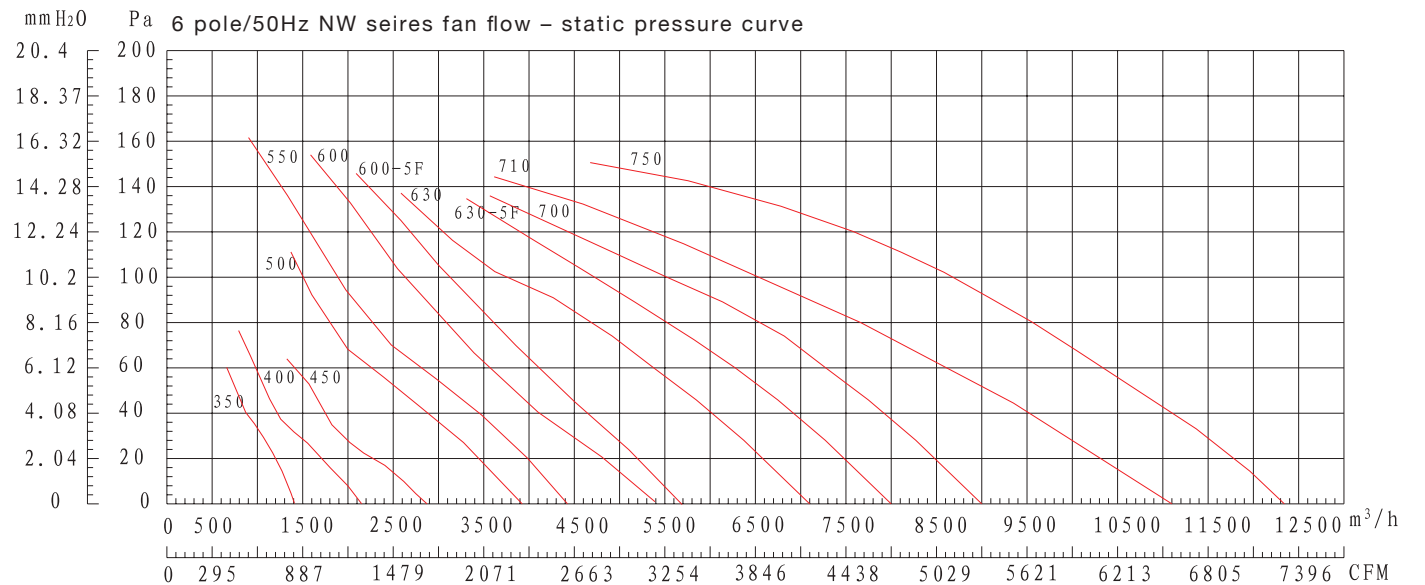
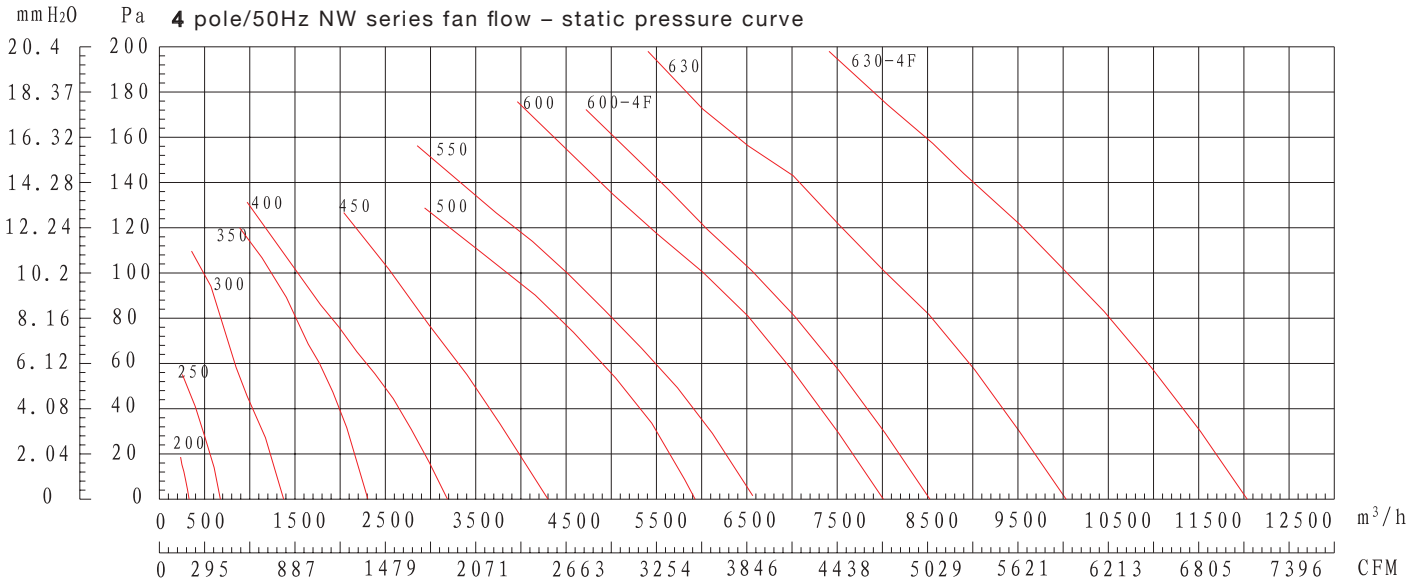
Code Nr.	Model	Voltage	Current	Input	Speed	Noise Level	Air Volume	Capacitor	Max. Static Pressure	Weight Approx.
			A	W	Rpm	db (a)	m3/h	µF	Pa	
021AJ1007	W1AF4E1-200B NW	220V / 50Hz	0,1	30	1400	50	330	3	30	1,6
021AJ1008	W1AF4E1-250B NW	220V / 50Hz	0,25	50	1400	55	550	1,5	60	1,6
021AJ1009	W1AF4E1-300B NW	220V / 50Hz	0,4	80	1380	60	1100	2	55	3,3
021AJ1060	W1AF4E1-315B NW	220V / 50Hz	0,3	70	1380	62	1480	2	100	2,4
021AJ1061	W1AF4E1-330B NW	220V / 50Hz	0,6	125	1380	63	1800	3	100	2,5
021AJ1010	W1AF4E1-350B NW	220V / 50Hz	0,6	130	1380	65	2300	4	85	4,8
021AJ1062	W1AF4E1-380B NW	220V / 50Hz	1	200	1380	65	2800	6	95	5,5
021AJ1011	W1AF4E1-400B NW	220V / 50Hz	0,95	200	1380	68	3200	6	100	5,6
021AJ1012	W1AF4E1-450B NW	220V / 50Hz	1,2	260	1350	70	4200	6	65	7,2
021AJ1013	W1AF4E1-500B NW	220V / 50Hz	2,1	450	1350	70	5900	12	120	9,3
021AJ1063	W1AF4E1-550B NW	220V / 50Hz	2,8	600	1350	70	6500	12	90	10,5
021AJ1064	W1AF4E1-600B NW	220V / 50Hz	3,5	700	1400	80	8600	12	120	10,5

021AJ1019	W1AF4D1-300B NW	380V / 50Hz	0,25	60	1380	60	1100	-	60	3,3
021AJ1020	W1AF4D1-350B NW	380V / 50Hz	0,35	150	1380	65	2300	-	90	4,8
021AJ1021	W1AF4D1-400B NW	380V / 50Hz	0,45	200	1380	68	3200	-	100	5,6
021AJ1022	W1AF4D1-450B NW	380V / 50Hz	0,65	270	1360	70	4200	-	110	7,2
021AJ1023	W1AF4D1-500B NW	380V / 50Hz	0,75	400	1320	70	5800	-	125	9,3
021AJ1065	W1AF4D1-550B NW	380V / 50Hz	1,3	600	1350	70	6500	-	120	10,5
021AJ1066	W1AF4D1-600B NW	380V / 50Hz	1,85	750	1350	80	8500	-	115	10,5
021AJ1067	W1AF4D1-630B NW	380V / 50Hz	1,8	800	1300	82	12000	-	120	14,2

021AJ1068	W1AF6E1-350B NW	220V / 50Hz	0,4	75	930	52	1380	2	70	4,8
021AJ1069	W1AF6E1-400B NW	220V / 50Hz	0,55	110	950	58	2200	3	65	5,6
021AJ1070	W1AF6E1-450B NW	220V / 50Hz	0,65	150	920	55	2600	4	60	7,2
021AJ1071	W1AF6E1-500B NW	220V / 50Hz	0,8	170	950	60	3900	6	110	9,3
021AJ1072	W1AF6E1-630B NW	220V / 50Hz	1,7	450	920	72	8000	12	80	15

021AJ1034	W1AF6D1-350B NW	380V / 50Hz	0,3	90	950	52	1400	-	80	4,8
021AJ1035	W1AF6D1-400B NW	380V / 50Hz	0,35	95	920	58	2100	-	65	5,6
021AJ1036	W1AF6D1-450B NW	380V / 50Hz	0,7	150	950	55	2700	-	80	7,2
021AJ1037	W1AF6D1-500B NW	380V / 50Hz	0,85	170	950	58	3900	-	110	9,3
021AJ1073	W1AF6D1-550B NW	380V / 50Hz	1,1	280	950	60	4400	-	90	10,5
021AJ1074	W1AF6D1-600B NW	380V / 50Hz	1	350	900	70	5700	-	60	10,5
021AJ1045	W1AF6D1-630B NW	380V / 50Hz	1,3	400	900	72	8000	-	80	14,2

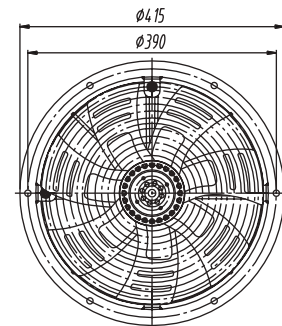
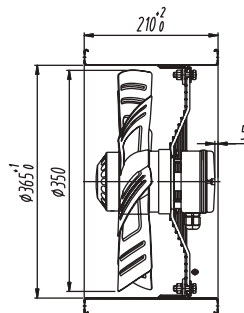
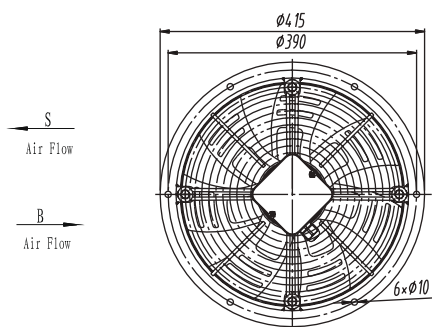
021AJ1075	W1AF6D1-700B NW	380V / 50Hz	2,5	850	900	70	12000	-	135	18
021AJ1076	W1AF8D1-700B NW	380V / 50Hz	1,35	350	650	58	6400	-	95	18
021AJ1077	W1AF6D1-750B NW	380V / 50Hz	1,6	600	900	68	12000	-	135	20
021AJ1078	W1AF8D1-750B NW	380V / 50Hz	1,35	400	650	60	9000	-	80	20



HIGH EFFICIENCY

BW SERIES

EXTERNAL ROTOR AXIAL FANS



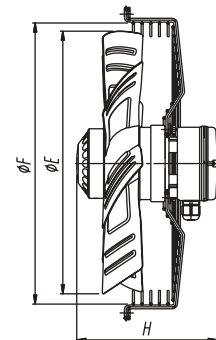
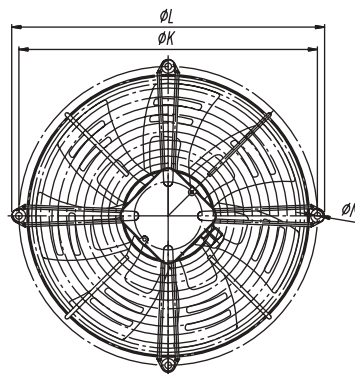
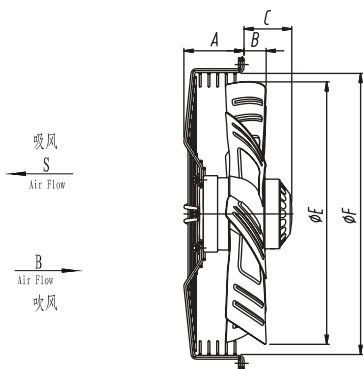
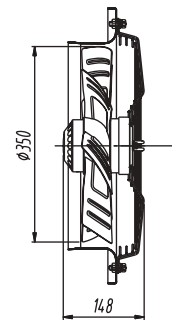
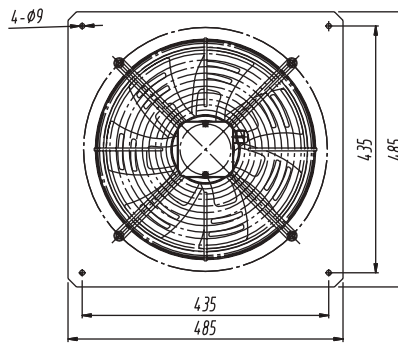
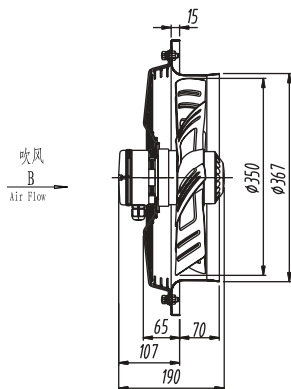
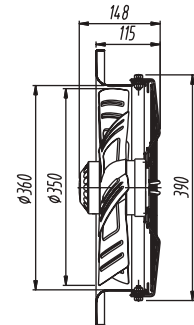
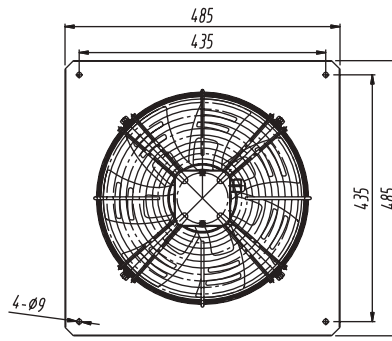
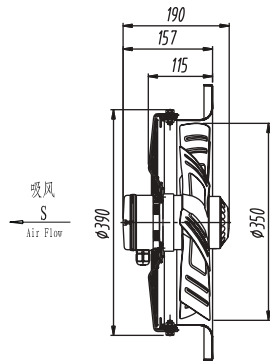
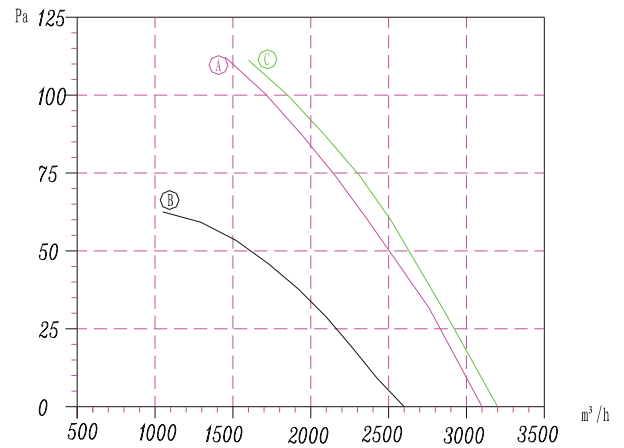
Technical Data & Order Codes of W1AF-350BW Series External Rotor Axial Fan

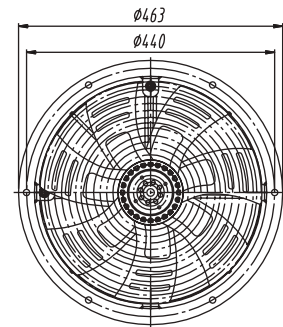
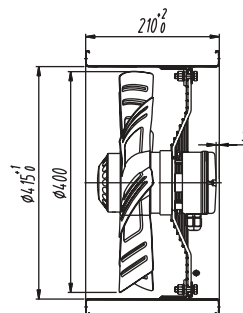
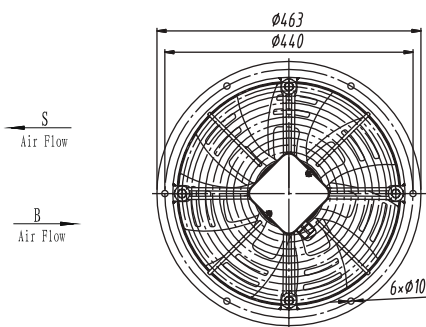
Code Nr.	Model	Nr. on the curve	Voltage		Current	Input	Speed	Noise Level	Capacitor	Air Volume	Weight Approx.
			V	Hz							
021AJ1079	W1AF4D1-350S BW	A	400 Δ	50	0,36	190	1350	70	-	3100	5,3
021AJ1079	W1AF4D1-350S BW	B	400 □	50	0,23	131	990	65	-	2600	5,3
021AJ1038	W1AF4E1-350S BW	C	230	50	1,01	216	1400	71	5	3200	5,3

021AJ1080	W1AF4D1-350B BW	A	400 Δ	50	0,36	190	1350	70	-	3100	5,3
021AJ1080	W1AF4D1-350B BW	B	400 □	50	0,23	131	990	65	-	2600	5,3
021AJ1081	W1AF4E1-350B BW	C	230	50	1,01	216	1400	71	5	3200	5,3

Type of protection: IP54
 (IP56 choose Q series totally enclosed motor)
 Insulation class: "B" "F"
 Mode of operation: S1.
 Beings: Maintenance-free bearings, L10.

MODEL	Dimension of External Rotor Axial Fan									
	A	B	C	D	E	F	H	ØK	ØL	ØM
W1AF4D1-350S BW	79,5	29	96	63	350	371,5	186	395	414	9
W1AF4E1-350S BW	79,5	29	96	63	350	371,5	186	395	414	9
W1AF4D1-350B BW	79,5	29	96	63	350	371,5	186	395	414	9
W1AF4E1-350B BW	79,5	29	96	63	350	371,5	186	395	414	9



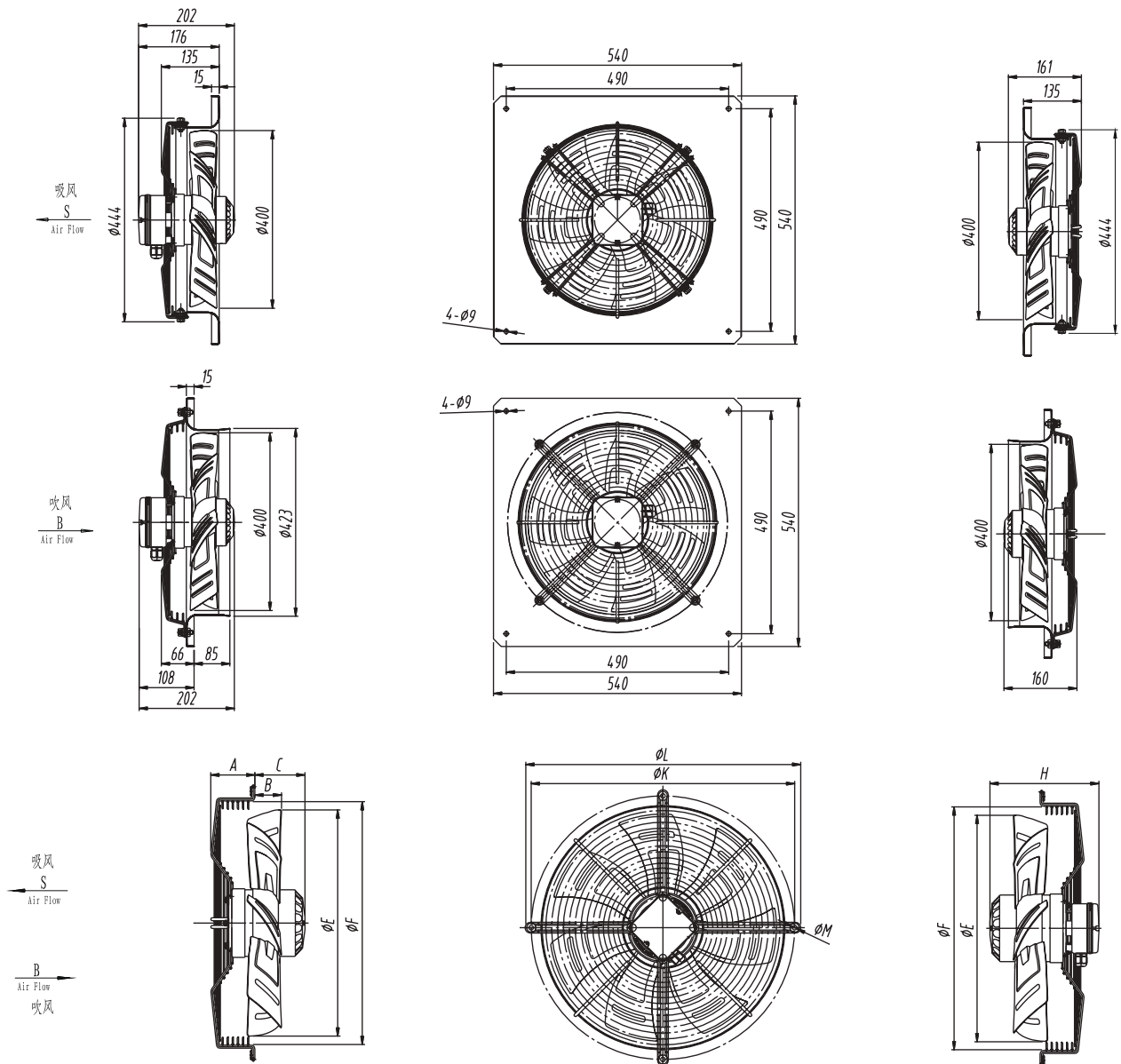
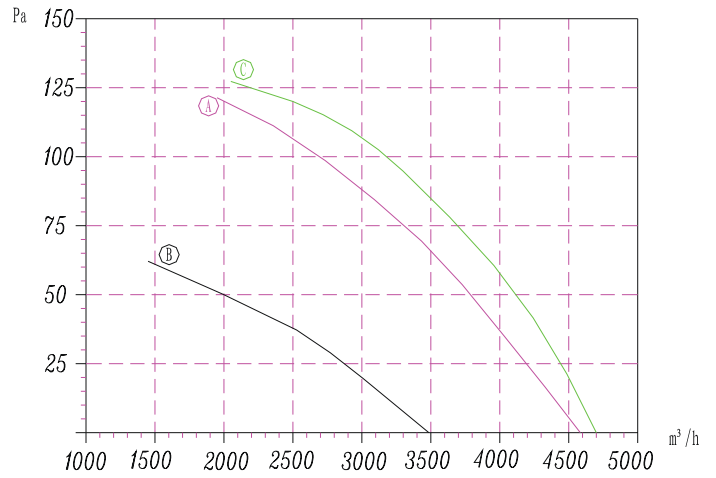


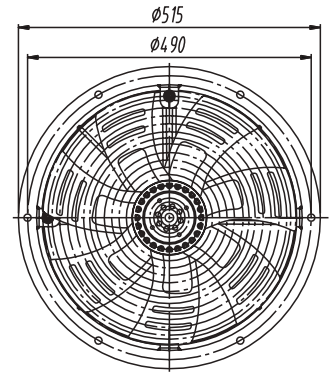
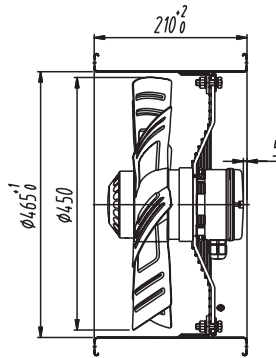
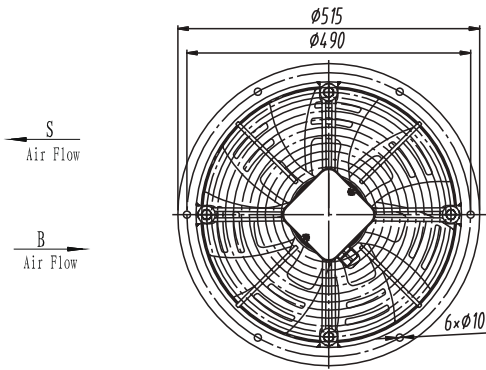
Technical Data & Order Codes of W1AF-400BW Series External Rotor Axial Fan

Code Nr.	Model	Nr. on the curve	Voltage	Frequency	Current	Input	Speed	Noise Level	Capacitor	Air Volume	Weight Approx.
			V	Hz	A	W	Rpm	db (a)	µF	m3/h	kg.
021AJ1187	W1AF4D1-400S BW	A	400 Δ	50	0,56	295	1320	72	-	4600	6,6
021AJ1188	W1AF4D1-400S BW	B	400 □	50	0,32	179	940	65	-	3500	6,6
021AJ1189	W1AF4E1-400S BW	C	230	50	1,46	325	1390	73	4	4700	7,3
021AJ1190	W1AF4D1-400B BW	A	400 Δ	50	0,56	295	1320	72	-	4600	6,6
021AJ1191	W1AF4D1-400B BW	B	400 □	50	0,32	179	940	65	-	3500	6,6
021AJ1192	W1AF4E1-400B BW	C	230	50	1,46	325	1390	73	4	4700	7,3

Type of protection: IP54
 (IP56 choose Q series totally enclosed motor)
 Insulation class: "B" "F"
 Mode of operation: S1.
 Beings: Maintenance-free bearings, L10.

MODEL	Dimension of External Rotor Axial Fan									
	A	B	C	D	E	F	H	ØK	ØL	ØM
W1AF4D1-400S BW	102	20	55,5	400	422,5	371,5	201	455	480	9
W1AF4E1-400S BW	102	20	55,5	400	422,5	371,5	201	455	480	9
W1AF4D1-400B BW	102	20	55,5	400	422,5	371,5	201	455	480	9
W1AF4E1-400B BW	102	20	55,5	400	422,5	371,5	201	455	480	9





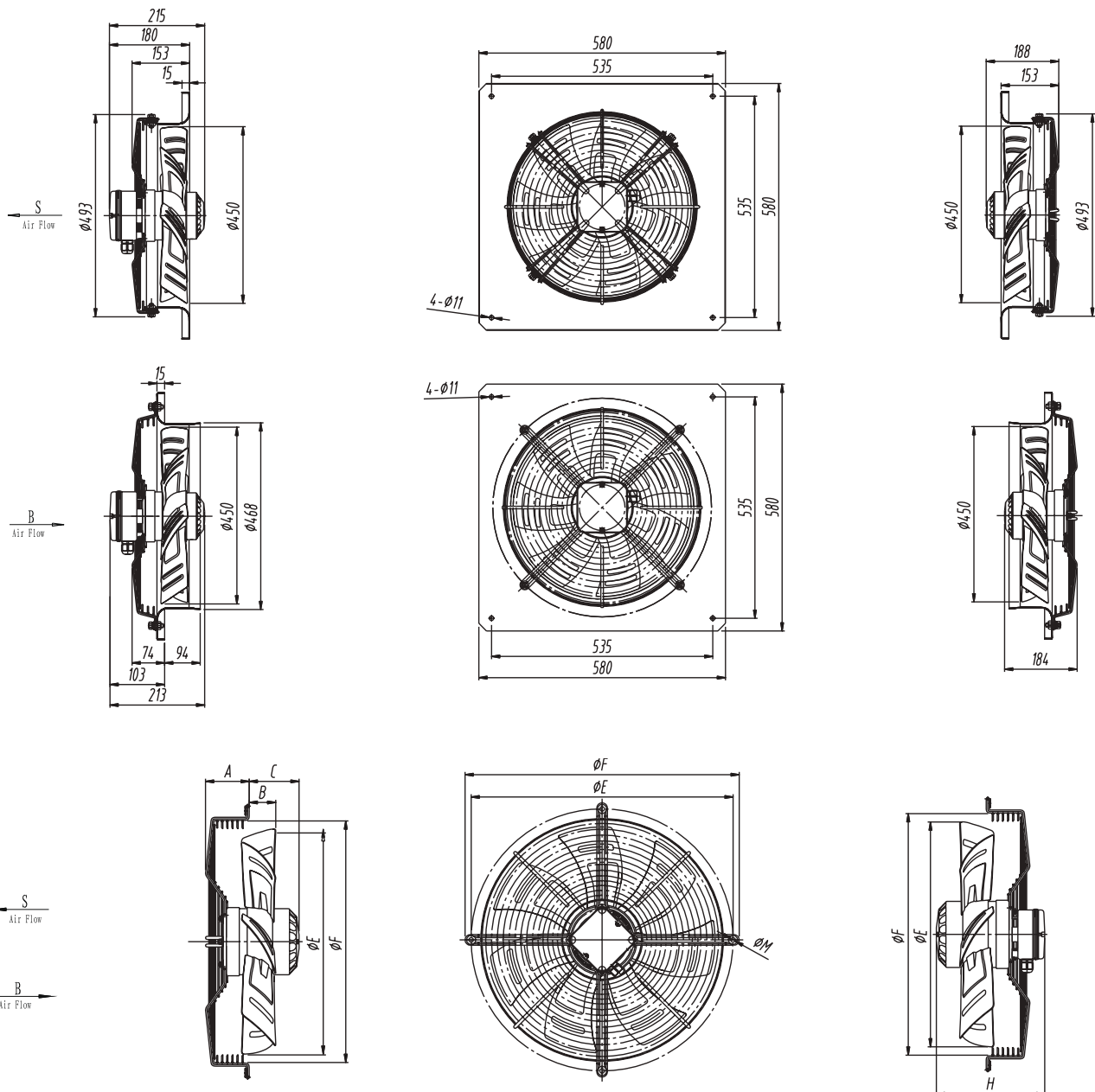
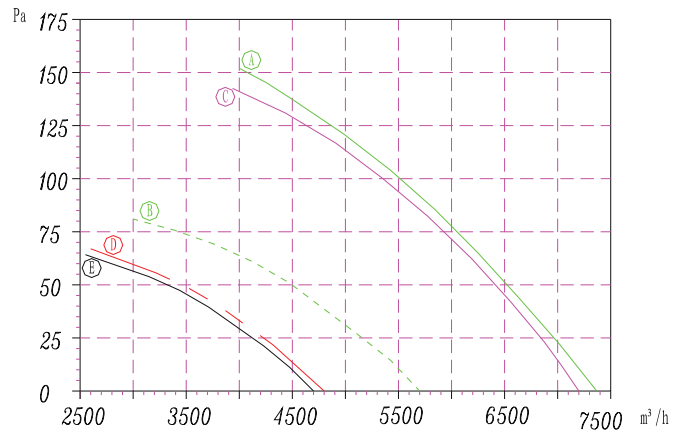
Technical Data & Order Codes of W1AF-450BW Series External Rotor Axial Fan

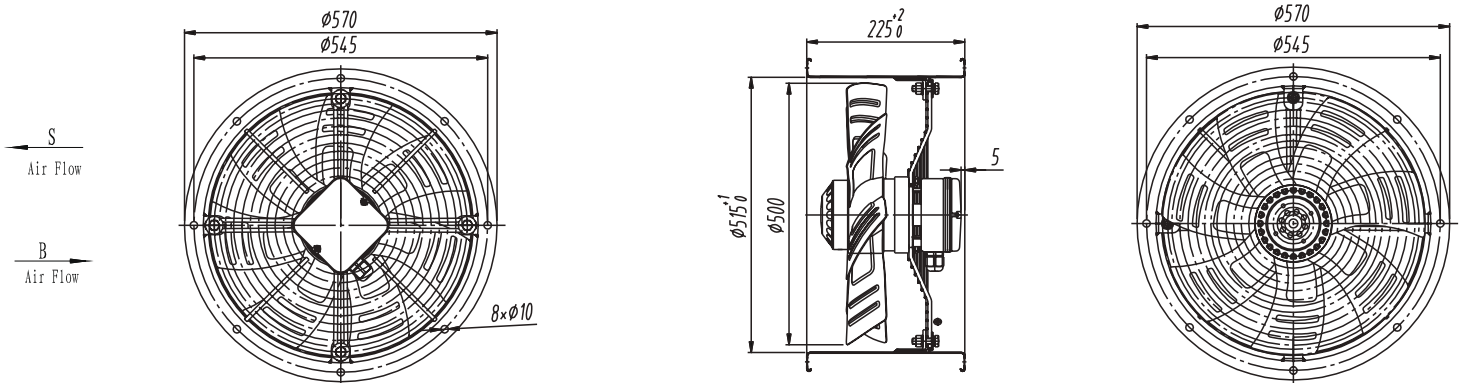
Code Nr.	Model	Nr. on the curve	Voltagge	Frequency	Current	Input	Speed	Noise Level	Capacitor	Air Volume	Weight Approx.
			V	Hz	A	W	Rpm	db (a)	µF	m3/h	kg.
021AJ1085	W1AF4D1-450S BW	A	400 Δ	50	1,15	567	1370	77	-	7300	11
021AJ1085	W1AF4D1-450S BW	B	400 □	50	0,73	400	1020	73	-	5700	11
021AJ1040	W1AF4E1-450S BW	C	230	50	2,93	640	1320	77	14	7200	13
021AJ1086	W1AF6D1-450S BW	D	400 Δ	50	0,45	201	930	70	-	4800	11
021AJ1087	W1AF6E1-450S BW	E	230	50	0,91	198	920	70	6	4700	11

021AJ1088	W1AF4D1-450B BW	A	400 Δ	50	1,15	567	1370	77	-	7300	11
021AJ1088	W1AF4D1-450B BW	B	400 □	50	0,73	400	1020	73	-	5700	11
021AJ1089	W1AF4E1-450B BW	C	230	50	2,93	640	1320	77	14	7200	13
021AJ1090	W1AF6D1-450B BW	D	400 Δ	50	0,45	201	930	70	-	4800	11
021AJ1091	W1AF6E1-450B BW	E	230	50	0,91	198	920	70	6	4700	11

Type of protection: IP54
 (IP56 choose Q series totally enclosed motor)
 Insulation class: "B" "F"
 Mode of operation: S1.
 Beings: Maintenance-free bearings, L10.

MODEL	Dimension of External Rotor Axial Fan								
	A	B	C	E	F	H	ØK	ØL	ØM
W1AF4D1-450S BW	86	52	98	450	474,5	213	515	539	9
W1AF4E1-450S BW	86	52	98	450	474,5	213	515	539	9
W1AF6D1-450S BW	86	52	98	450	474,5	213	515	539	9
W1AF6E1-450S BW	86	52	98	450	474,5	213	515	539	9
W1AF4D1-450B BW	86	52	98	450	474,5	213	515	539	9
W1AF4E1-450B BW	86	52	98	450	474,5	213	515	539	9
W1AF6D1-450B BW	86	52	98	450	474,5	213	515	539	9
W1AF6E1-450B BW	86	52	98	450	474,5	213	515	539	9





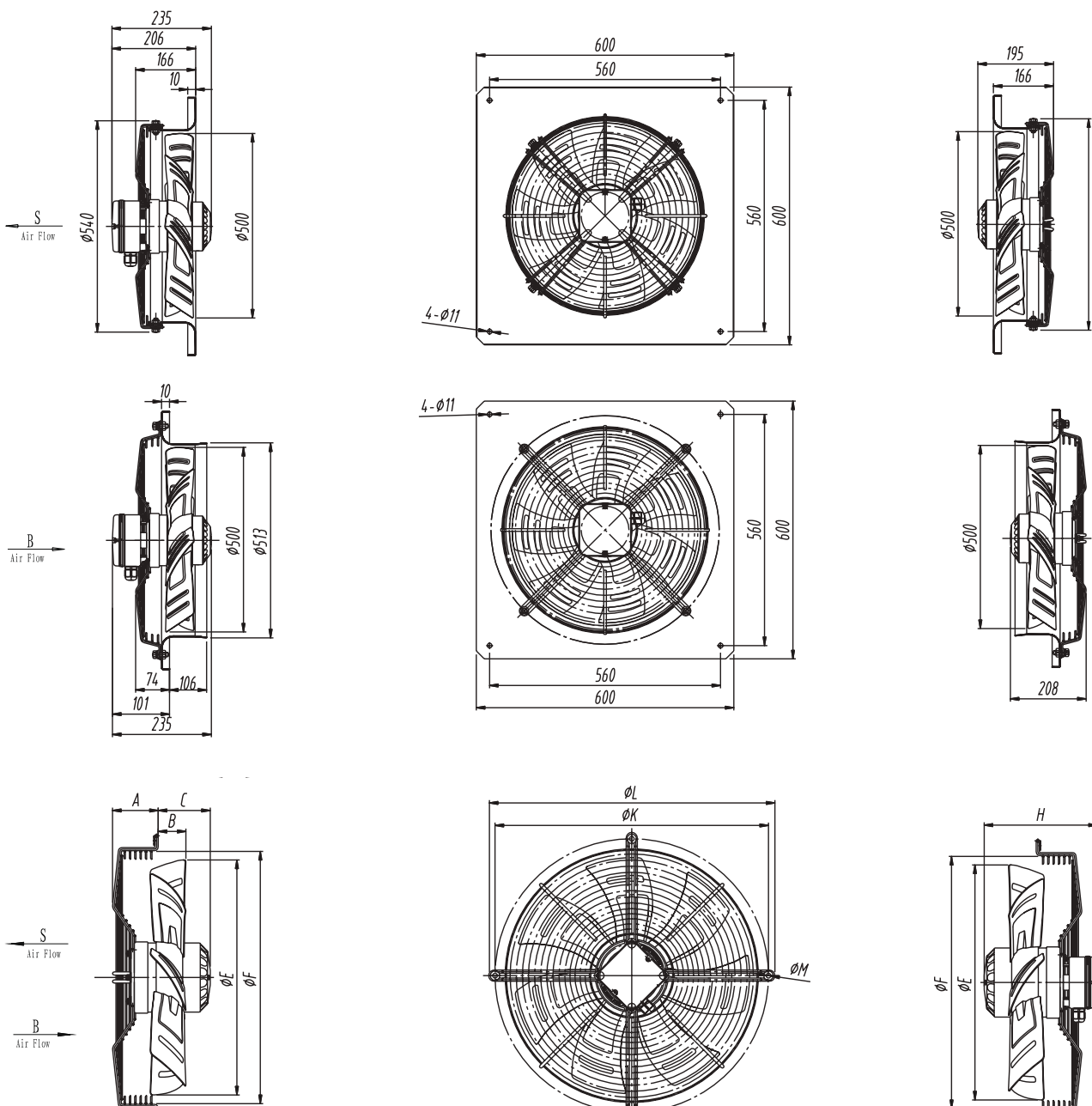
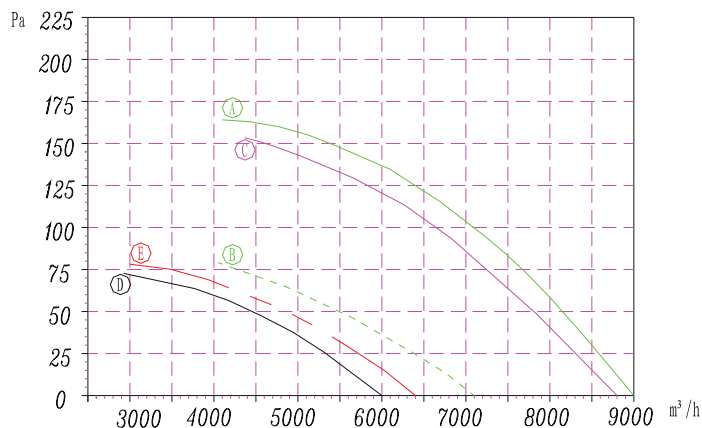
Technical Data & Order Codes of W1AF-500BW Series External Rotor Axial Fan

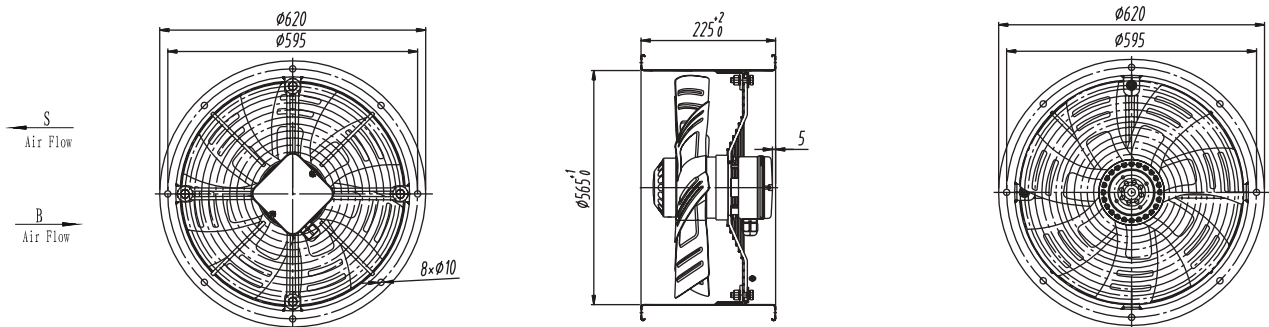
Code Nr.	Model	Nr. on the curve	Voltage	Frequency	Current	Input	Speed	Noise Level	Capacitor	Air Volume	Weight Approx.
			V	Hz	A	W	Rpm	db (a)	μF	m3/h	kg.
021AJ1092	W1AF4D1-500S BW	A	400 Δ	50	1,59	830	1360	77	-	9000	13,6
021AJ1092	W1AF4D1-500S BW	B	400 □	50	0,98	514	1000	73	-	7100	13,6
021AJ1041	W1AF4E1-500S BW	C	230	50	3,67	819	1280	76	16	8800	13,6
021AJ1093	W1AF6D1-500S BW	D	400 Δ	50	0,61	295	900	70	-	6000	11
021AJ1094	W1AF6E1-500S BW	E	230	50	1,34	304	920	62	10	6400	11,6

021AJ1095	W1AF4D1-500B BW	A	400 Δ	50	1,59	830	1360	77	-	9000	13,6
021AJ1095	W1AF4D1-500B BW	B	400 □	50	0,98	514	1000	73	-	7100	13,6
021AJ1096	W1AF4E1-500B BW	C	230	50	3,67	819	1280	76	16	8800	13,6
021AJ1097	W1AF6D1-500B BW	D	400 Δ	50	0,61	295	900	70	-	6000	11
021AJ1098	W1AF6E1-500B BW	E	230	50	1,34	304	920	62	10	6400	11,6

Type of protection: IP54
 (IP56 choose Q series totally enclosed motor)
 Insulation class: "B" "F"
 Mode of operation: S1.
 Beings: Maintenance-free bearings, L10.

MODEL	Dimension of External Rotor Axial Fan								
	A	B	C	E	F	H	ØK	ØL	ØM
W1AF4D1-500S BW	105	50	97,5	500	528	231	565	589	9
W1AF4E1-500S BW	105	50	97,5	500	528	231	565	589	9
W1AF6D1-500S BW	105	50	97,5	500	528	231	565	589	9
W1AF6E1-500S BW	105	50	97,5	500	528	231	565	589	9
W1AF4D1-500B BW	105	50	97,5	500	528	231	565	589	9
W1AF4E1-500B BW	105	50	97,5	500	528	231	565	589	9
W1AF6D1-500B BW	105	50	97,5	500	528	231	565	589	9
W1AF6E1-500B BW	105	50	97,5	500	528	231	565	589	9





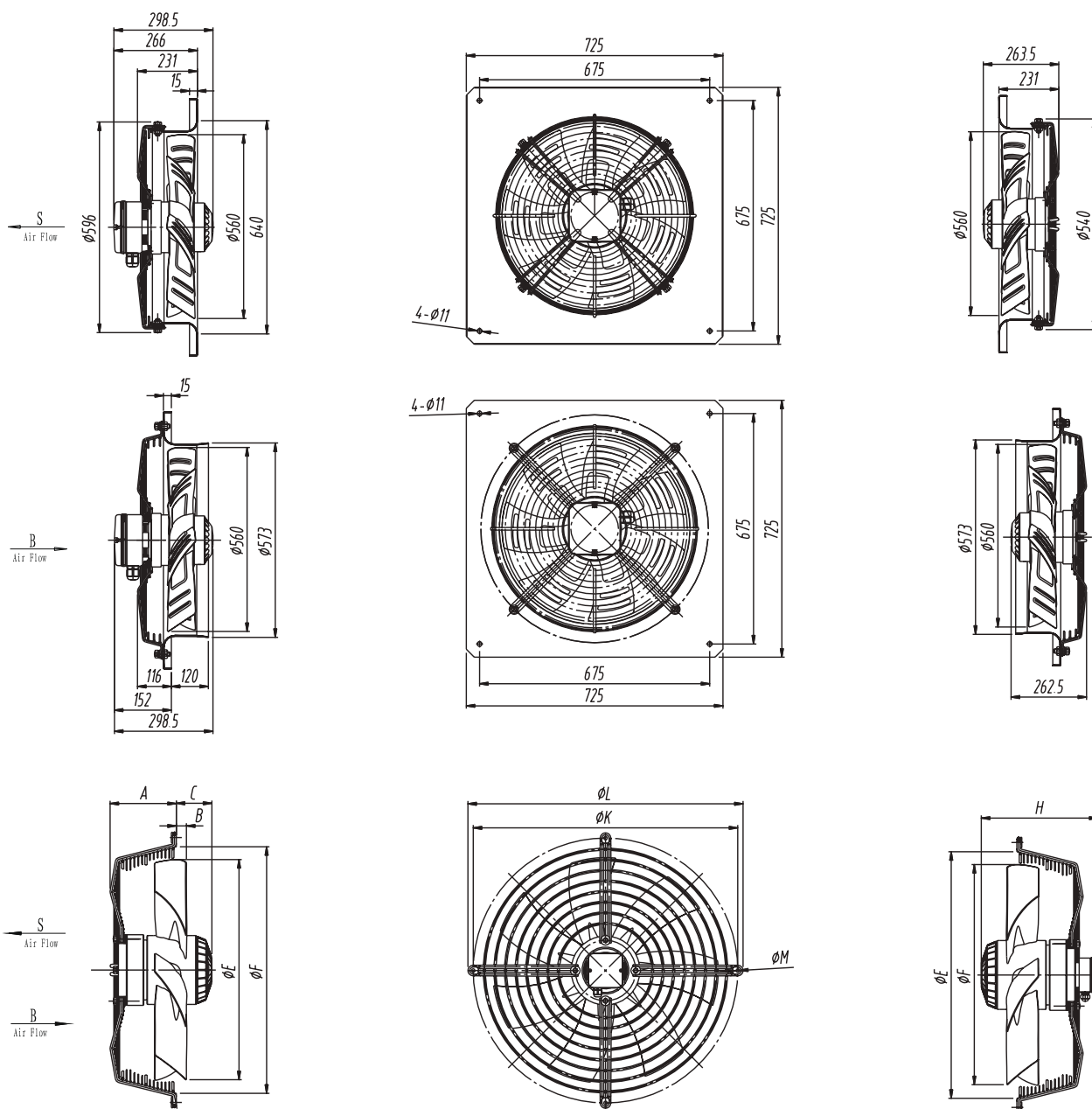
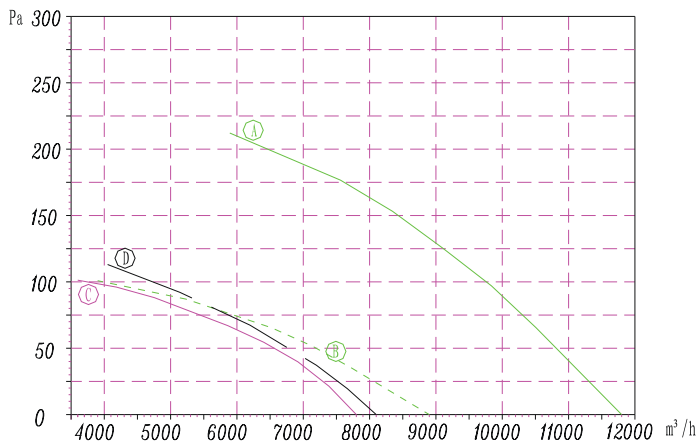
Technical Data & Order Codes of W1AF-560BW Series External Rotor Axial Fan

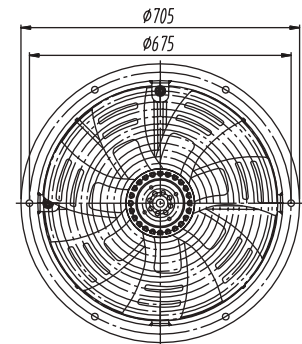
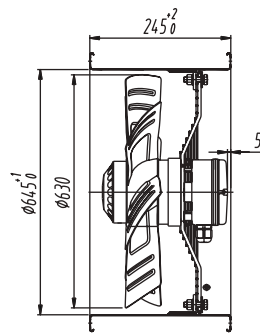
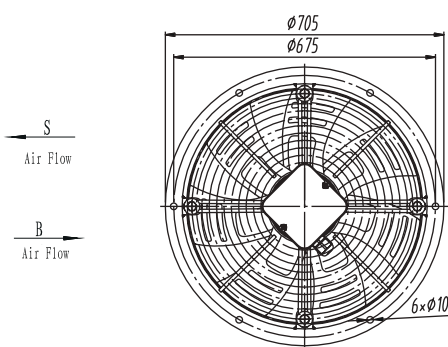
Code Nr.	Model	Nr. on the curve	Voltage	Frequency	Current	Input	Speed	Noise Level	Capacitor	Air Volume	Weight Approx.
			V	Hz	A	W	Rpm	db (a)	μ F	m ³ /h	kg.
021AJ1099	W1AF4D1-560S BW	A	400 Δ	50	2,42	1260	1320	86	-	11800	16,5
021AJ1099	W1AF4D1-560S BW	B	400 \square	50	1,51	680	920	78	-	8900	16,5
021AJ1100	W1AF6D1-560S BW	C	400 Δ	50	0,84	440	880	76	-	7800	13
021AJ1101	W1AF6E1-560S BW	D	230	50	2,37	535	920	76	12	8100	14,5

021AJ1102	W1AF4D1-560B BW	A	400 Δ	50	2,42	1260	1320	86	-	11800	16,5
021AJ1102	W1AF4D1-560B BW	B	400 \square	50	1,51	680	920	78	-	8900	16,5
021AJ1103	W1AF6D1-560B BW	C	400 Δ	50	0,84	440	880	76	-	7800	13
021AJ1104	W1AF6E1-560B BW	D	230	50	2,37	535	920	76	12	8100	14,5

Type of protection: IP54
 (IP56 choose Q series totally enclosed motor)
 Insulation class: "B" "F"
 Mode of operation: S1.
 Beings: Maintenance-free bearings, L10.

MODEL	Dimension of External Rotor Axial Fan								
	A	B	C	E	F	H	ØK	ØL	ØM
W1AF4D1-560S BW	258,5	38	99,5	552	647	298,5	700	725	9
W1AF6D1-560S BW	248,5	33	89,5	552	647	288,5	700	725	9
W1AF6E1-560S BW	258,5	33	89,5	552	647	288,5	700	725	9
W1AF4D1-560B BW	258,5	38	99,5	552	647	298,5	700	725	9
W1AF6D1-560B BW	248,5	33	89,5	552	647	288,5	700	725	9
W1AF6E1-560B BW	258,5	33	89,5	552	647	288,5	700	725	9





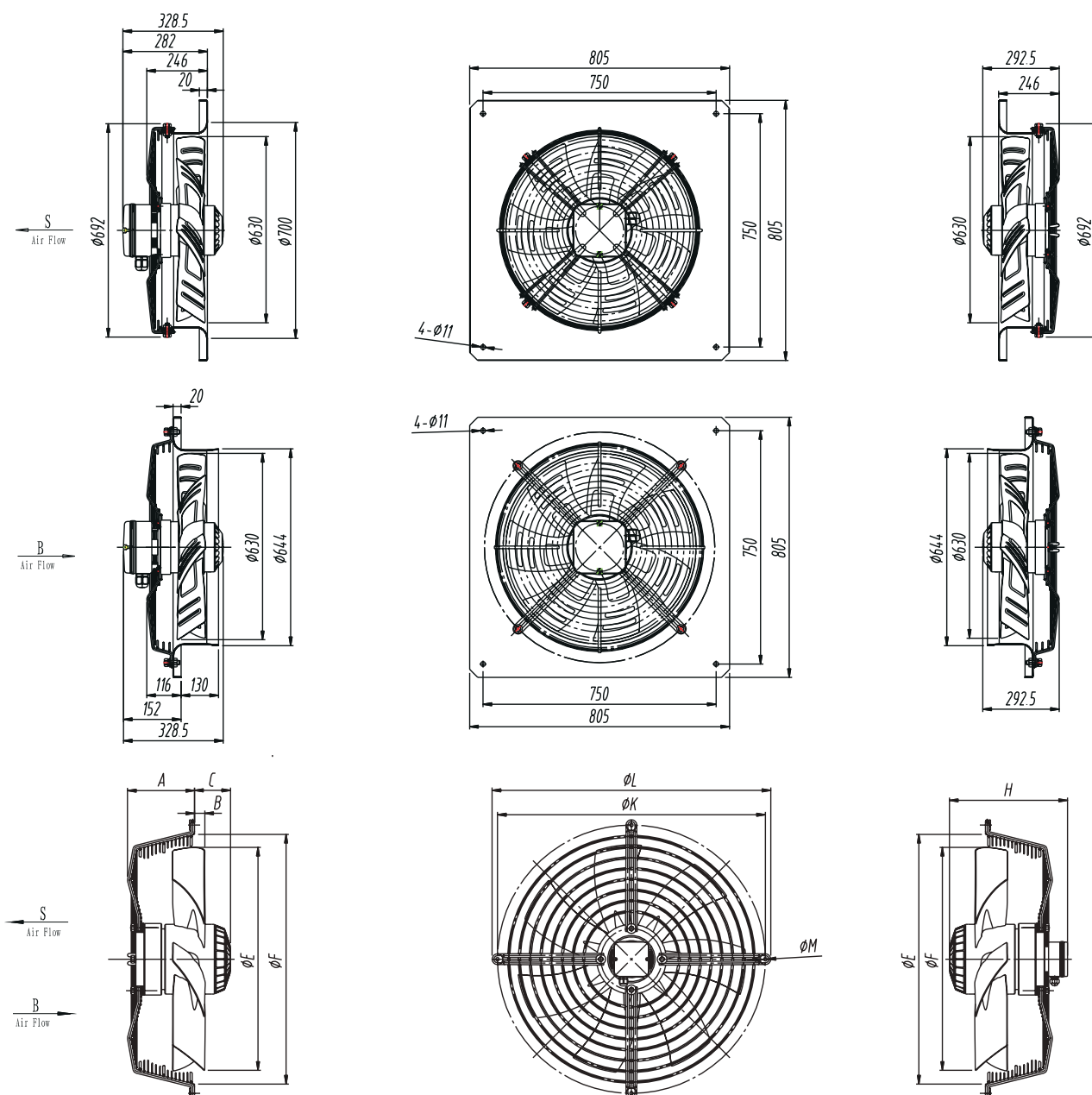
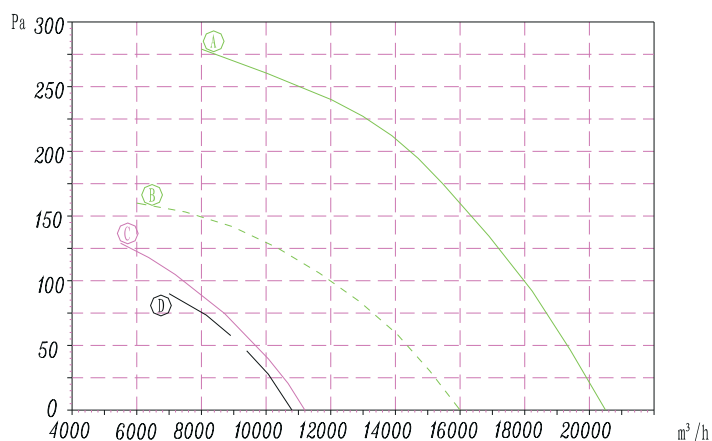
Technical Data & Order Codes of W1AF-630BW Series External Rotor Axial Fan

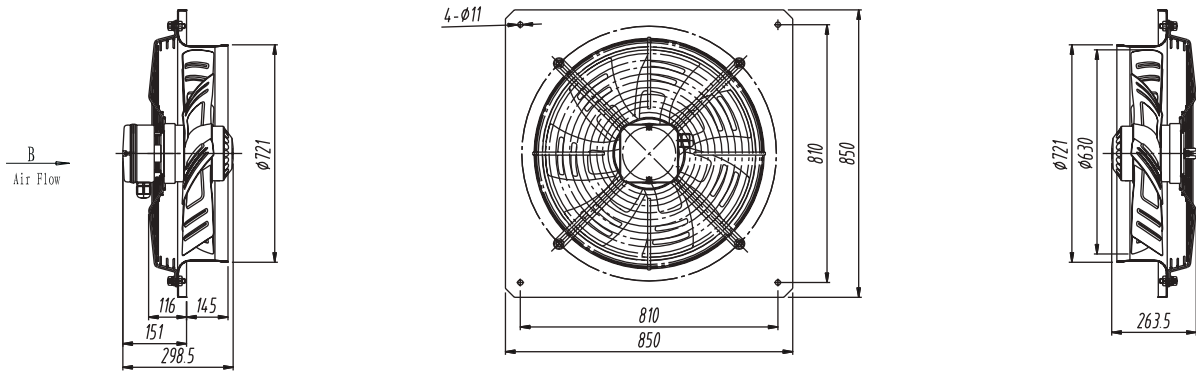
Code Nr.	Model	Nr. on the curve	Voltage	Frequency	Current	Input	Speed	Noise Level	Capacitor	Air Volume	Weight Approx.
			V	Hz	A	W	Rpm	db (a)	μ F	m3/h	kg.
021AJ1105	W1AF4D1-630S BW	A	400 Δ	50	5,2	2730	1320	87	-	20500	35,5
021AJ1105	W1AF4D1-630S BW	B	400 \square	50	3,3	1680	1010	83	-	16000	35,5
021AJ1106	W1AF6D1-630S BW	C	400 Δ	50	1,39	724	710	86	-	11200	16
021AJ1042	W1AF6E1-630S BW	D	230	50	3,7	800	930	72	20	10600	22

021AJ1107	W1AF4D1-630B BW	A	400 Δ	50	5,2	2730	1320	87	-	20500	35,5
021AJ1107	W1AF4D1-630B BW	B	400 \square	50	3,3	1680	1010	83	-	16000	35,5
021AJ1108	W1AF6D1-630B BW	C	400 Δ	50	1,39	724	710	86	-	11200	16
021AJ1109	W1AF6E1-630B BW	D	230	50	3,7	800	930	72	20	10600	22

Type of protection: IP54
 (IP56 choose Q series totally enclosed motor)
 Insulation class: "B" "F"
 Mode of operation: S1.
 Bearings: Maintenance-free bearings, L10.

MODEL	Dimension of External Rotor Axial Fan								
	A	B	C	E	F	H	ØK	ØL	ØM
W1AF4D1-630S BW	186	36	102,5	626	698	328,5	750	780	9
W1AF6D1-630S BW	186	21	72,5	626	698	298,5	750	780	9
W1AF6E1-630S BW	146,5	63	73	625	662,5	277	736	762,5	9
W1AF4D1-630B BW	186	36	102,5	626	698	328,5	750	780	9
W1AF6D1-630B BW	186	21	72,5	626	698	298,5	750 <td 780	9	
W1AF6E1-630B BW	146,5	63	73	625	662,5	277	736	762,5	9





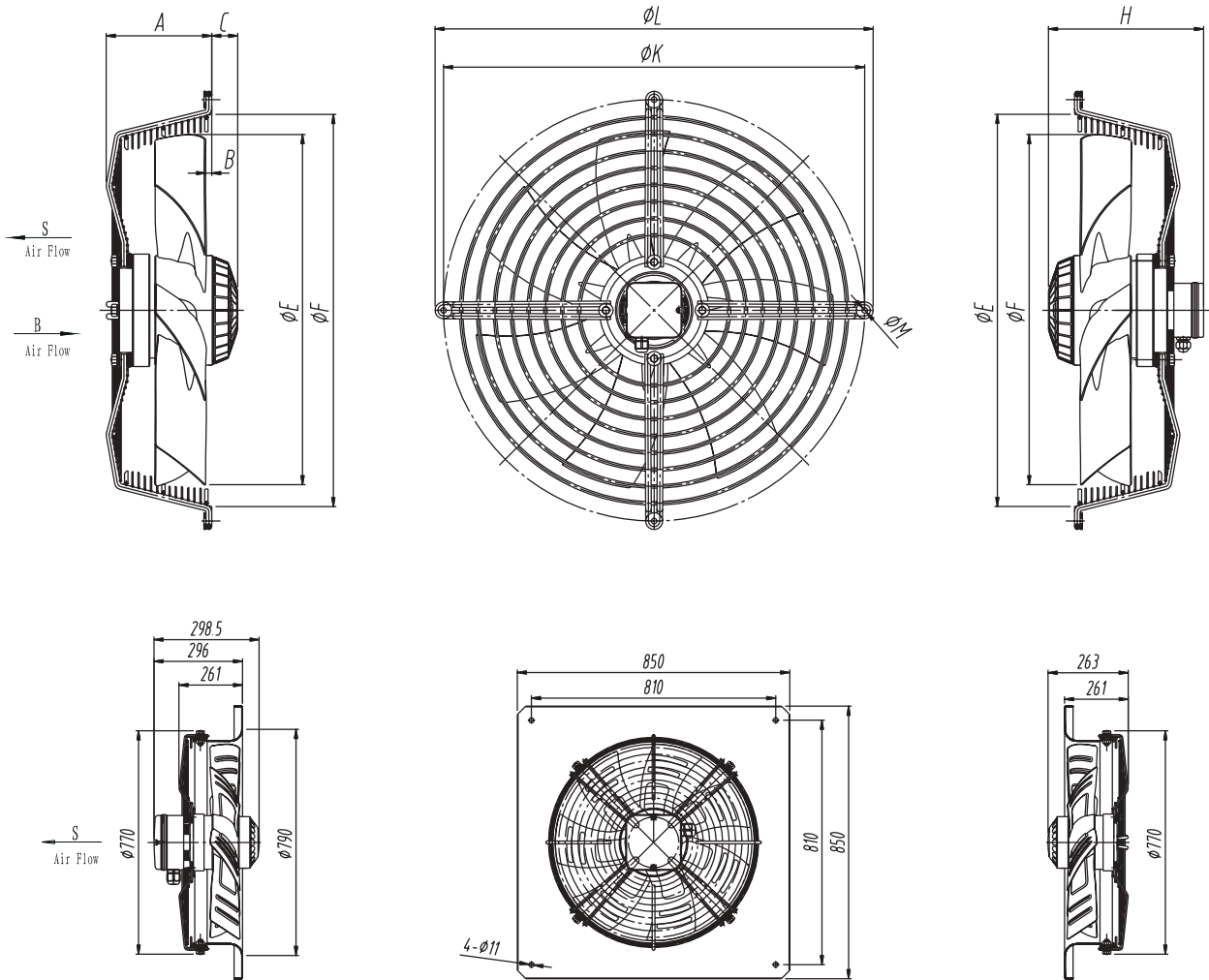
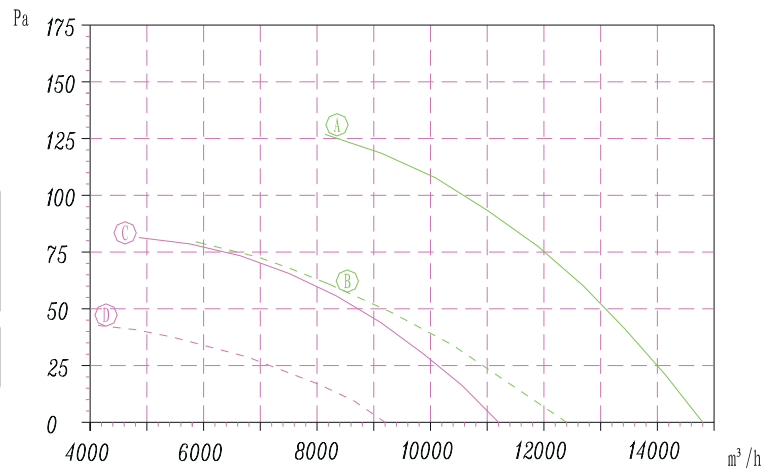
Technical Data & Order Codes of W1AF-710BW Series External Rotor Axial Fan

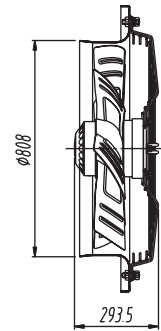
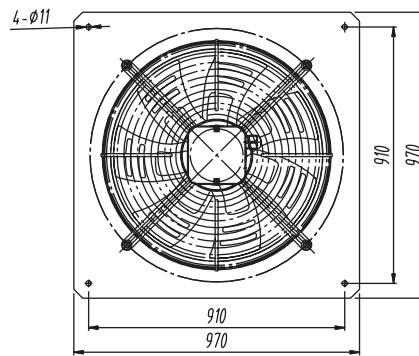
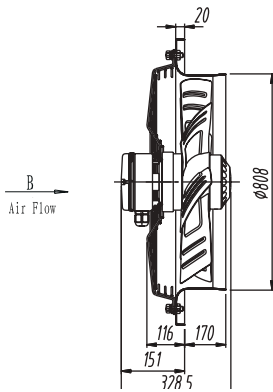
Code Nr.	Model	Nr. on the curve	Voltage	Frequency	Current	Input	Speed	Noise Level	Capacitor	Air Volume	Weight Approx.
			V	Hz	A	W	Rpm	db (a)	µF	m3/h	kg.
021AJ1110	W1AF6D1-710S BW	A	400 Δ	50	1,78	925	930	77	-	14800	26
021AJ1110	W1AF6D1-710S BW	B	400 □	50	1,25	651	720	73	-	12400	26
021AJ1111	W1AF8D1-710S BW	C	400 Δ	50	0,88	450	700	73	-	11200	26
021AJ1111	W1AF8D1-710S BW	D	400 □	50	0,61	320	530	67	-	9200	26

021AJ1112	W1AF6D1-710B BW	A	400 Δ	50	1,78	925	930	77	-	14800	26
021AJ1112	W1AF6D1-710B BW	B	400 □	50	1,25	651	720	73	-	12400	26
021AJ1113	W1AF8D1-710B BW	C	400 Δ	50	0,88	450	700	73	-	11200	26
021AJ1113	W1AF8D1-710B BW	D	400 □	50	0,61	320	530	67	-	9200	26

Type of protection: IP54
 (IP56 choose Q series totally enclosed motor)
 Insulation class: "B" "F"
 Mode of operation: S1.
 Beings: Maintenance-free bearings, L10.

MODEL	Dimension of External Rotor Axial Fan								
	A	B	C	E	F	H	ØK	ØL	ØM
W1AF6D1-710S BW	202,5	8	56	703	792	298,5	853	888	12
W1AF8D1-710S BW	202,5	8	46	703	792	288,5	853	888	12
W1AF6D1-710B BW	202,5	8	56	703	792	298,5	853	888	12
W1AF8D1-710B BW	202,5	8	46	703	792	288,5	853	888	12





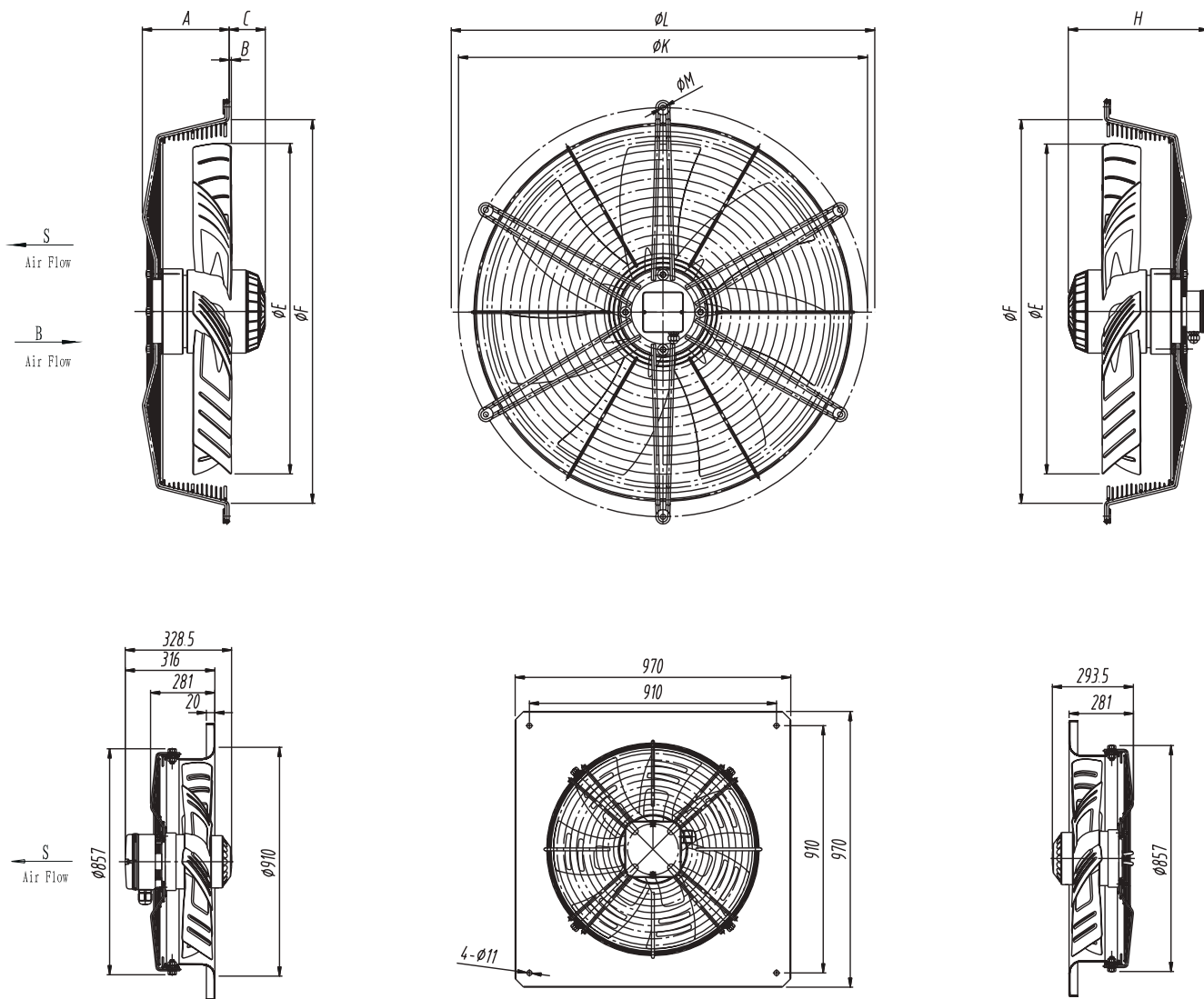
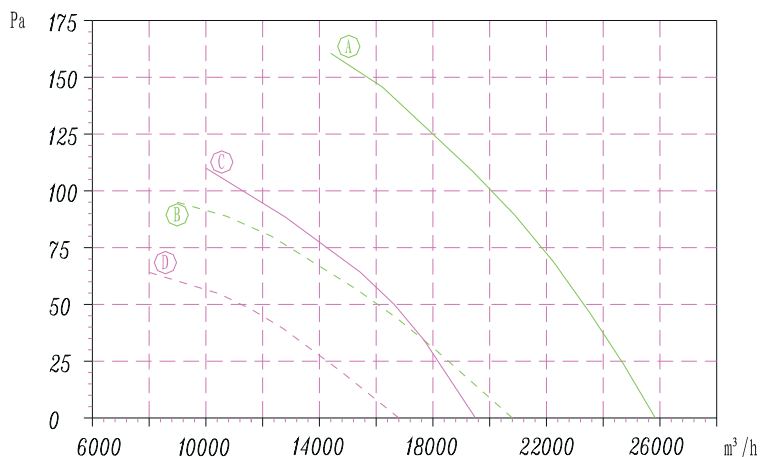
Technical Data & Order Codes of W1AF-800BW Series External Rotor Axial Fan

Code Nr.	Model	Nr. on the curve	Voltage	Frequency	Current	Input	Speed	Noise Level	Capacitor	Air Volume	Weight Approx.
			V	Hz	A	W	Rpm	db (a)	µF	m3/h	kg.
021AJ1043	W1AF6D1-800S BW	A	400 Δ	50	4,1	2120	900	85	-	25800	55
021AJ1043	W1AF6D1-800S BW	B	400 □	50	2,51	1320	680	80	-	20800	55
021AJ1044	W1AF8D1-800S BW	C	400 Δ	50	2,4	1110	700	76	-	19500	59
021AJ1044	W1AF8D1-800S BW	D	400 □	50	1,78	810	550	67	-	16800	59

021AJ1114	W1AF6D1-800B BW	A	400 Δ	50	4,1	2120	900	85	-	25800	55
021AJ1114	W1AF6D1-800B BW	B	400 □	50	2,51	1320	680	80	-	20800	55
021AJ1115	W1AF8D1-800B BW	C	400 Δ	50	2,4	1110	700	76	-	19500	59
021AJ1115	W1AF8D1-800B BW	D	400 □	50	1,78	810	550	67	-	16800	59

Type of protection: IP54
 (IP56 choose Q series totally enclosed motor)
 Insulation class: "B" "F"
 Mode of operation: S1.
 Bearings: Maintenance-free bearings, L10.

MODEL	Dimension of External Rotor Axial Fan								
	A	B	C	E	F	H	ØK	ØL	ØM
W1AF6D1-800S BW	204	5,5	85	788	900	328,5	960	994	12
W1AF8D1-800S BW	204	5,5	70	788	900	313,5	960	994	12
W1AF6D1-800B BW	204	5,5	85	788	900	328,5	960	994	12
W1AF8D1-800B BW	204	5,5	70	788	900	313,5	960	994	12





AGENCY



Address
Web
E-mail

HONG KONG - 283 Queen's Road, Central, Unionway Commercial Centre, Flat C, 15th Floor,
www.moowex.com
info@moowex.com

VERSION: MXR1